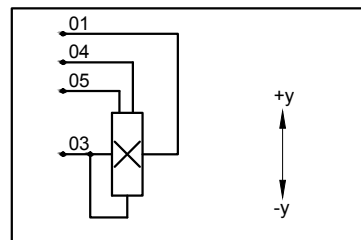
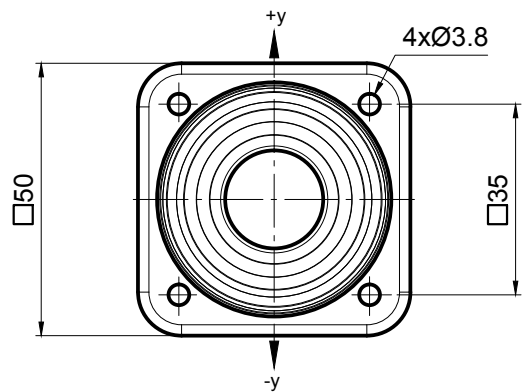
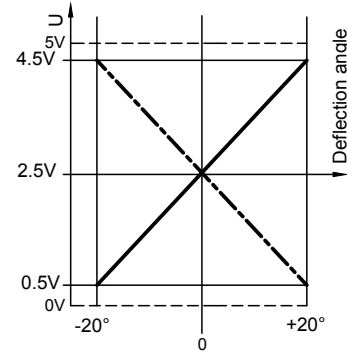


Gate
(Top view)



Output diagram
y1-, y2-axis



Description	
Joystick Type SK 315-0124	
Number of axes	1-axis, y-axis redundant
Operation by	Rubber bellow
Cross guidance	none
Retaining spring	normal, Z-Nr. 60-112
Connector:	Minitek Shrouded Header 8-poles
Mating connector:	Minitek IDC Receptacle, 8-poles
Electrical characteristics	
Operating voltage	5 V DC
Sensor	Hall effect technology
Pin	
01	Supply voltage
02	do not use
03	Ground
04	y1 (-y=0.5V, middle=2.5V, +y=4.5V)
05	y2 (-y=4.5V, middle=2.5V, +y=0.5V)
06	do not use
07	do not use
08	do not use

				Oberfläche	Maßstab 1:1	Position -	Menge -
				Datum	Name	Joystick	
				Bearb. 14.12.14	DR		
				Gepr.			
				Norm			
				Genge & Thoma AG joysticks & sensors		315-0124	
				Blatt -		BI	