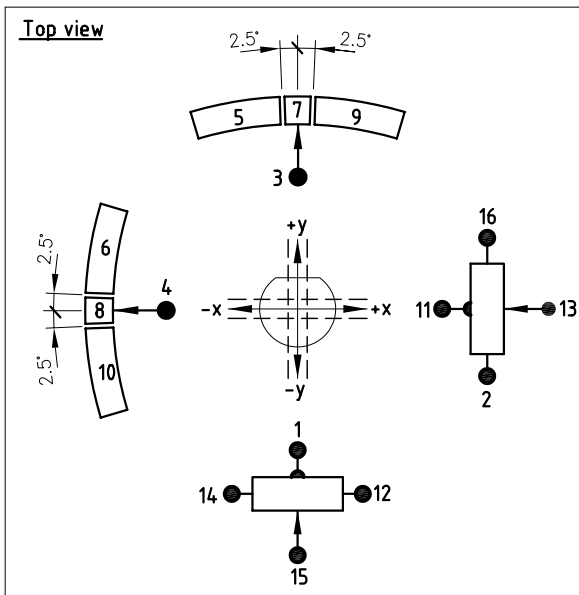


Axis		Number (CP / digital)	Center tab (CP / digital)
x-axis	+x	12/9	1/7
	Wiper	15/3	
	-x	14/5	
y-axis	+y	16/6	11/8
	Wiper	13/4	
	-y	2/10	

Electrical characteristics	
Switch function	2 shift segments per axis
Switchpoint	± 2.5°
Resistance value	5 kOhm ±20%
Power dissipation	0.2 Watt at 40°C per axis



			Oberfläche	Maßstab 1:1	Position	Menge
			Datum	Name	Joystick SK 36	
			Bearb. 05.04.11	Kiener M.		
			Gepr.			
			Norm			
			GENGE & THOMA AG <small>CH-2543 Lengnau/Biel</small>		36-073E	
Zust.	Änderungen	Datum	Name	Dateiname E:\DWG_SK36\36-073.dwg	Blatt	
					Bl	