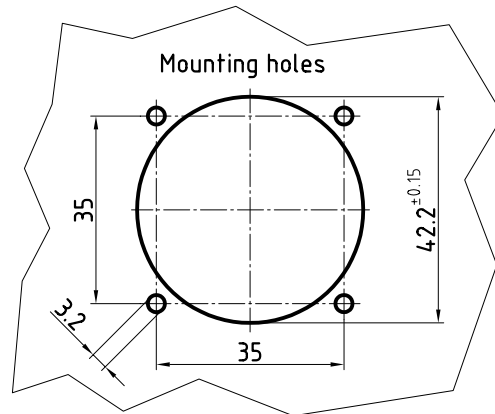
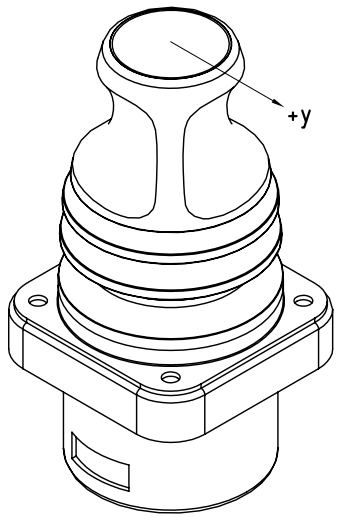
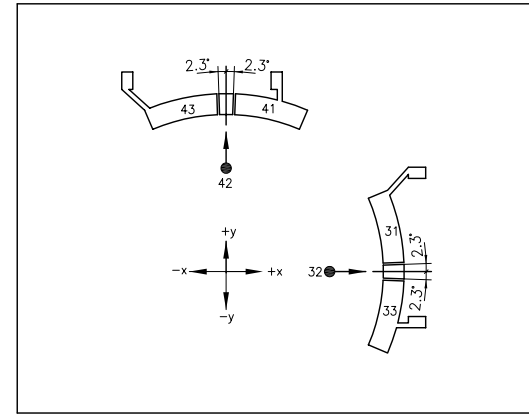


Axes	Direction	Connector side	
		Joystick in mid-position	
x-axis	+x	41	open
	Joystick/Wiper	42	
	-x	43	open
y-axis	+y	31	open
	Joystick/Wiper	32	
	-y	33	open



<b>Description:</b>	
Joystick SK 41-056	
Number of axes	2-axes, x-axis, y-axis
Operation by	Handle, interchangeable knob
<u>Connector:</u>	JST, 10-poles, S10B-PHDSS
<u>Mating connector:</u> <u>mecanical orientated</u>	JST, 10-poles, PHDR-10VS
Switch function	2 shift segments per axis
Switchpoint a	±2.3°

<b>Electrical characteristics</b>	
Contact rating	Zero potential difference between segments 5 V DC, 5 mA
Operating voltage	max. 30 V DC

		Oberfläche	Maßstab 1:1	Position	Menge
		Datum	<b>Joystick</b>		
		Name			
		Bearb. 06.02.09			
		Kiener M.			
		Gepr.	<b>41-056E</b>		
		Norm			
		<b>GENGE &amp; THOMA AG</b>		Blatt	
		CH-2543 Lengnau/Biel		Bl	
Zust.	Änderung	Datum	Name	Dateiname	D:\AD\wg SK41V41-056E.dwg