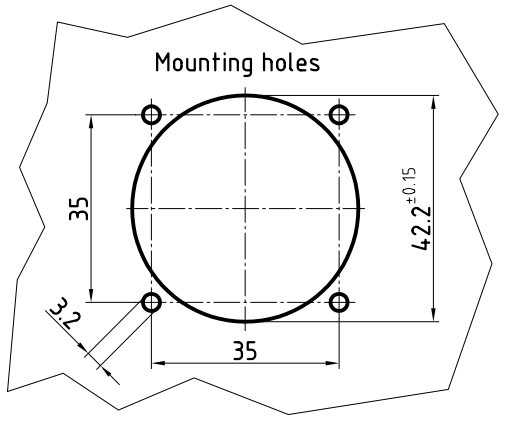
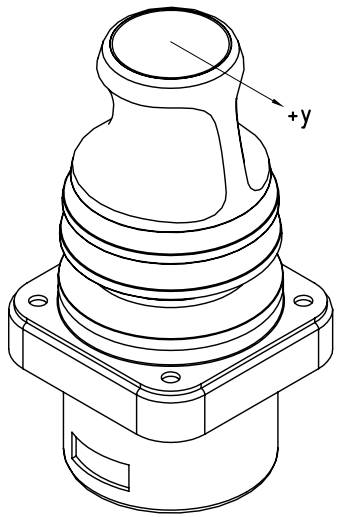
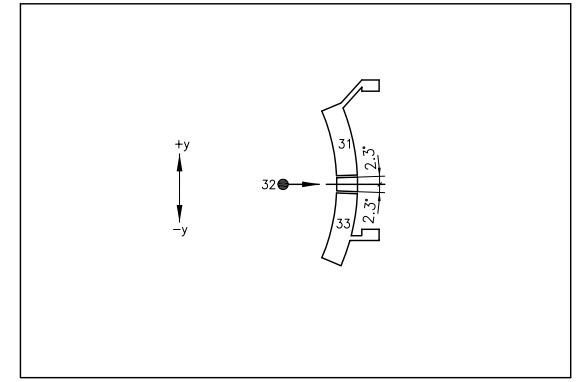


Axis	Direction	Connector side	
		Joystick in mid-position	
x-axis	+x		
	-x		
y-axis	+y	31	open
	Joystick/Wiper	32	
	-y	33	open



Description:	
Joystick SK 41-057	
Number of axes	1-axis, y-axis
Operation by	Handle, interchangeable knob
<u>Connector:</u>	JST, 10-poles, S10B-PHDS
<u>Mating connector:</u> <u>mecanical orientated</u>	JST, 10-poles, PHDR-10VS
Switch function	2 shift segments
Switchpoint a	±2.3°

Electrical characteristics	
Contact rating	Zero potential difference between segments 5 V DC, 5 mA
Operating voltage	max. 30 V DC

		Oberfläche	Maßstab 1:1	Position	Menge
		Datum	Name		
		Bearb. 06.02.09	Kiener M.		
		Gepr.			
		Norm			
		GENGE & THOMA AG		Blatt	
		OH-2543 Lengnau/Biel		Bl	
		Dateiname: E:\DW\DW SK41V41-057E.dwg			
Zust.	Änderung	Datum	Name		

Joystick
41-057E