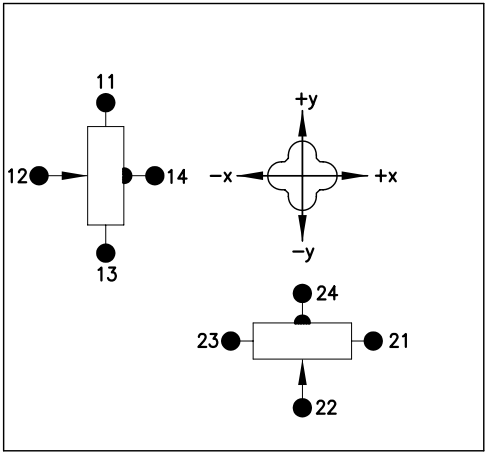


| Axis   | Direction      | Potentiometer |           |
|--------|----------------|---------------|-----------|
|        |                | Number        | Centertab |
| x-Axis | +x             | 21            | 24        |
|        | Joystick/Wiper | 22            |           |
|        | -x             | 23            |           |
| y-Axis | +y             | 11            | 14        |
|        | Joystick/Wiper | 12            |           |
|        | -y             | 13            |           |



| Electrical characteristics |                          |
|----------------------------|--------------------------|
| Resistance Value           | 5 kOhm ± 20%             |
| Power disipation           | 0.2 Watt at 40° per axis |

|                       |                           |
|-----------------------|---------------------------|
| <b>Description:</b>   |                           |
| Joystick SK 41-058E   |                           |
| Number of axis        | 2-axis, x- and y-axis     |
| Operation by          | handle, exchangeable knob |
| <b>Connector:</b>     | JST, 10-pole, S10B-PHDSS  |
| <b>Plug:</b>          | JST, 10-pole, PHDR-10VS   |
| <b>Not reversible</b> |                           |
| Centertab             | ±0.5°                     |
| Cross guide           | rigid                     |

|       |          |                                   |             |   |       |
|-------|----------|-----------------------------------|-------------|---|-------|
|       |          | Oberfläche                        | Maßstab 1:1 | Position                                | Menge |
|       |          | Datum                             | Name        |   |       |
|       |          | Bearb. 16.05.08                   | Kiener M.   |   |       |
|       |          | Gepr.                             |             |   |       |
|       |          | Norm                              |             |   |       |
|       |          | <b>GENGE &amp; THOMA AG</b>       |             |   |       |
|       |          | OH-2543 Lengnau/Biel              |             |   |       |
|       |          | Dateiname D:\Dwg SK41\41-058E.dwg |             |   |       |
|       |          |                                   |             | <b>SK 41-200 CP (backside mounting)</b> |       |
|       |          |                                   |             | see Description                         |       |
|       |          |                                   |             | <b>41-058E</b>                          |       |
|       |          |                                   |             | Blatt                                   |       |
|       |          |                                   |             | Bl                                      |       |
| Zust. | Änderung | Datum                             | Name        |   |       |