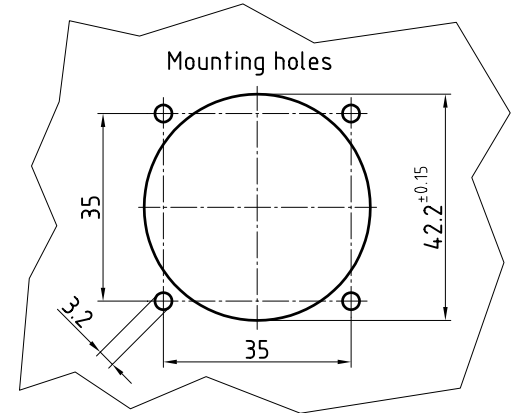
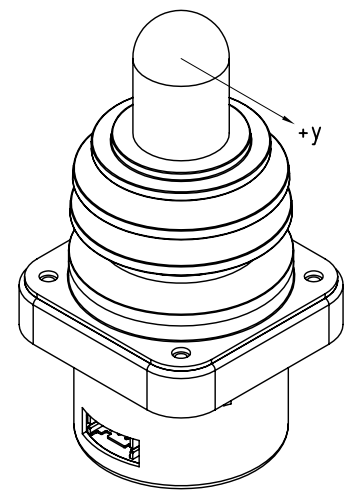
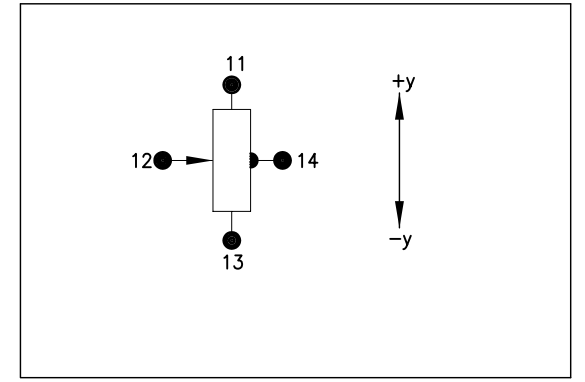


Axis	Direction	Potentiometer	
		Nr./colour	Center tab
x-axis	+x		
	-x		
y-axis	+y	11	
	-y	12	14
		13	



Description:	
Joystick SK 41-060	
Number of axes	1-axis, y-axis
Operation by	Handle, interchangeable knob
Connector:	JST, 10-poles, S10B-PHDS5
Mating connector:	JST, 10-poles, PHDR-10VS
Center tab	±1.25°

Electrical characteristics	
Resistance value	5 kOhm ± 20%
Power dissipation	0.2 Watt at 40°

		Oberfläche	Maßstab 1:1	Position	Menge
		Datum	Name	Joystick	
		Bearb. 06.04.09	Kiener M.		
		Gepr.			
		Norm			
		GENGE & THOMA AG		41-060E	
		OH-2543 Lengnau/Biel			
		Dateiname: E:\Dwg\DWG SK41V4-060E.dwg			
Zust.	Änderung	Datum	Name		
				Blatt	
				Bl	