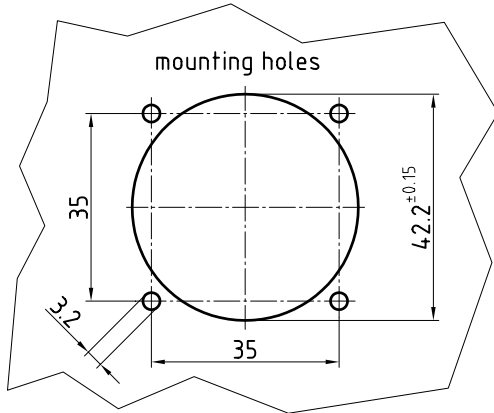
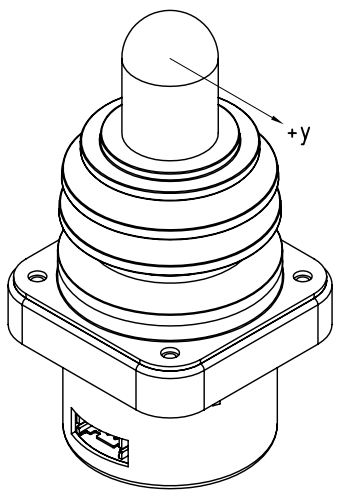
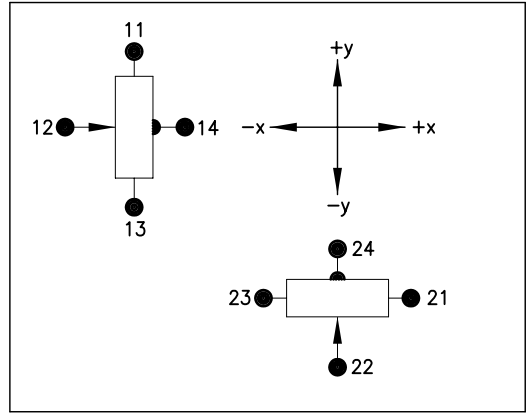


Axis	Direction	Potentiometer	
		N°/Colour	Center tab
x-axis	+x	21	24
	Joystick/Wiper	22	
	-x	23	
y-axis	+y	11	14
	Joystick/Wiper	12	
	-y	13	



<b>Description:</b>	
Joystick SK 41-061	
Number of axis	2-axis, x-axis, y-axis
Operation by	Handle, exchangeable knob
<b>Plug:</b>	JST, 10-poles, S10B-PHDS
<b>Counter plug:</b>	JST, 10-poles, PHDR-10VS
Center tab	±1.25°

<b>Electrical characteristics</b>	
Resistance value	5 kOhm ± 20%
Power disipation	0.2 Watt at 40°

		Oberfläche	Maßstab 1:1	Position	Menge
		Datum	Name	Joystick	
		Bearb. 17.12.09	Kiener M.		
		Gepr.			
		Norm			
		<b>GENGE &amp; THOMA AG</b> <small>CH-2543 Lengnau/Biel</small>		41-061E	
		Dateiname: E:\Dwg\DWG SK41\41-061E.dwg		Blatt	
				Bl	
Zust.	Änderung	Datum	Name		