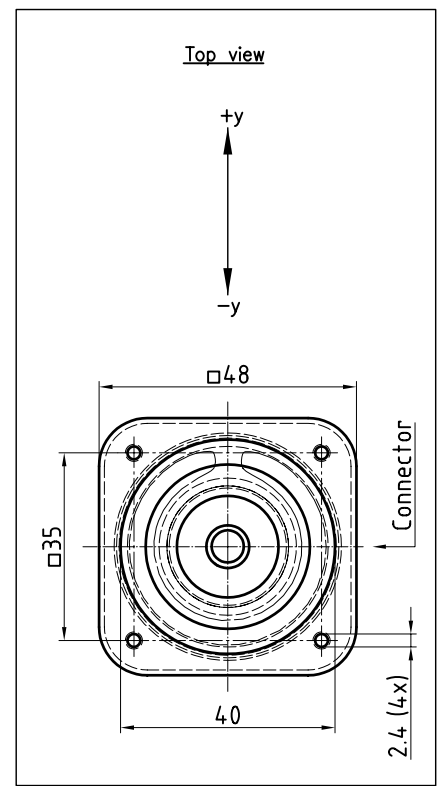
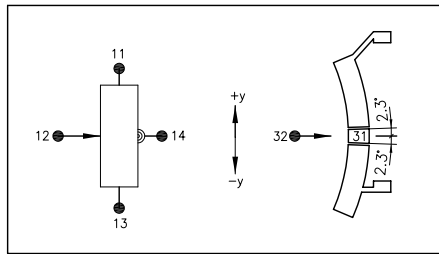


Axis	Direction	Connector side		Potentiometer	
		Joystick in mid-position	Nr./colour	Center tab	
x-axis	+x				
	-x				
y-axis	+y	32	open	11	14
	-y		31	12	
			open	13	



Description:	
Joystick SK 41-062	
Number of axes	1-axis, y-axis
Operation by	Handle, interchangeable knob
<u>Connector:</u>	JST, 10-poles, S10B-PHDS
<u>Mating connector:</u> <u>mecanical orientated</u>	JST, 10-poles, PHDR-10VS
Switch function	2 shift segments per axis
Switchpoint a	±2.3°
Center tab	±1.25°

Electrical characteristics	
Contact rating	Zero potential difference between segments 5 V DC, 5 mA
Operating voltage	max. 30 V DC
Resistance value	5 kOhm ± 20%
Power dissipation	0.2 Watt at 40°

		Oberfläche	Maßstab 1:1	Position	Menge
		Datum	Name		
		Bearb. 08.04.09	Kiener M.		
		Gepr.			
		Norm			
		GEGE & THOMA AG		Blatt	
		OH-2543 Lengnau/Biel		Bl	
		Dateiname: E:\Dwg\DWG SK41-062E.dwg			
Zust.	Änderung	Datum	Name		

Joystick
41-062E