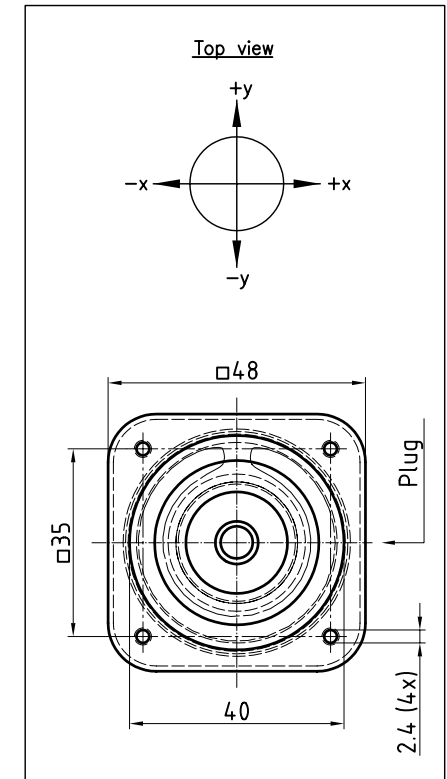
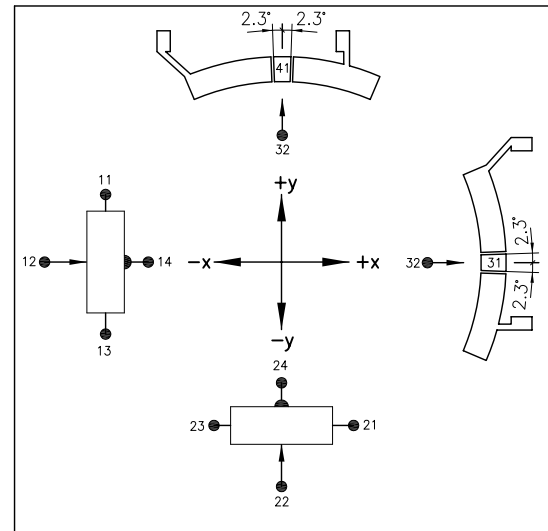


Axis	Connector side		Potentiometer	
	Richtung	Joystick in Mid-position	Nr./Colour	Center tab
x-axis	+x	32	open	24
	Joystick/Wiper		22	
	-x		open	23
y-axis	+y	32	open	14
	Joystick/Wiper		12	
	-y		open	13



Description	
Joystick SK 41-063	
Number of axis	2-axis, x-axis, y-axis
Operation by	Handle, interchangeable knob
<u>Plug:</u>	JST, 12-poles, S12B-PHDSS
<u>Counter plug:</u> <u>mecanical orientated</u>	JST, 12-poles, PHDR-12VS
Switch funktion	2 shift segments per axis
Switchpoint a	±2.3°
Center tab	±1.25°

Electrical characteristics	
Contact rating	Zero potential difference between segments 5 V DC, 5 mA
Operating voltage	max. 30 V DC
Resistance value	5 kOhm ± 20%
Power dissipation	0.2 Watt at 40°

		Oberfläche	Maßstab 1:1	Position	Menge
		Datum	Name	Joystick	
		Bearb. 08.04.09	Kiener M.		
		Gepr.			
		Norm			
		GENGE & THOMA AG <small>CH-2543 Lengnau/Biel</small>		41-063E	
Zust.	Änderung	Datum	Name	Dateiname: E:\Dwg\DWG SK41-063E.dwg	

Blatt
Bl