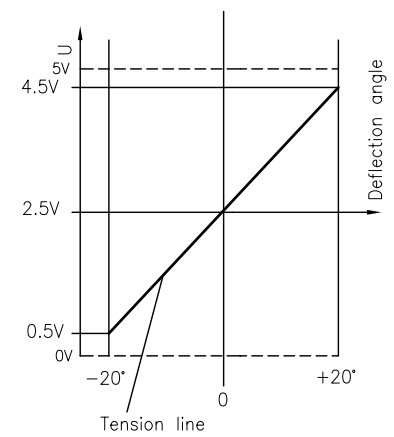
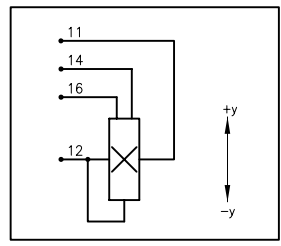
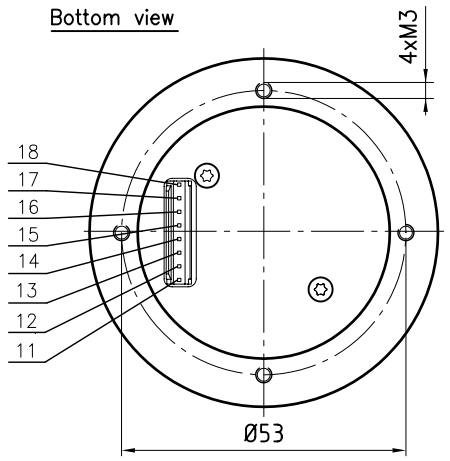


Output diagram



Bottom view



Description	
Joystick Type SK 60-01022	
Number of axes	1-axis, y-axis
Operation by	Goblet handle Put and stay (friction brake)
Cross guidance	none
Switch function	none
Retaining spring	none
Connector:	8-poles: 76384-308
DUBOX Walled Header	
Mating connector:	8-poles: 65240-008
Dubox Housing	
Anti-rotation locking	

Electrical characteristics	
Operating voltage	5 V DC
Sensor	Hall effect

Pin	
11	Supply voltage (5V)
12	Ground
13	Do not use
14	y1 ( $-y=0.5V$ , middle= $2.5V$ , $+y=4.5V$ )
15	Do not use
16	y2 ( $-y=0.5V$ , middle= $2.5V$ , $+y=4.5V$ )
17	Do not use
18	Do not use

		Oberfläche	Maßstab 1:1	Position	Menge
		Datum	Name	Joystick	
		Bearb. 17.12.13	Kiener M.		
		Gepr.			
		Norm			
		<b>GENGE &amp; THOMA AG</b> <small>01-2543 Lengnau/Blatt</small>		60-01022a	
a	AEN-14-008	19.05.14	MK	Blatt	
Zust.	Änderungen	Datum	Name	Bl	
		Dateiname: E:\DWQ\SK 60\1SK60-01022a.dwg			