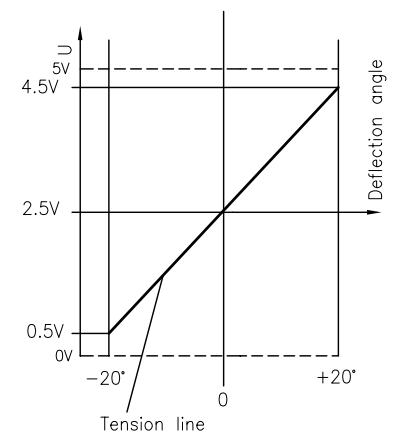


Output diagram

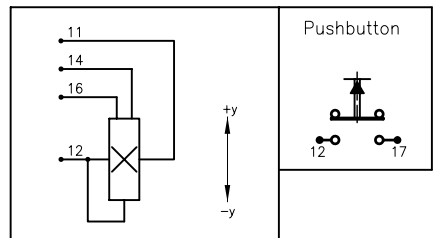
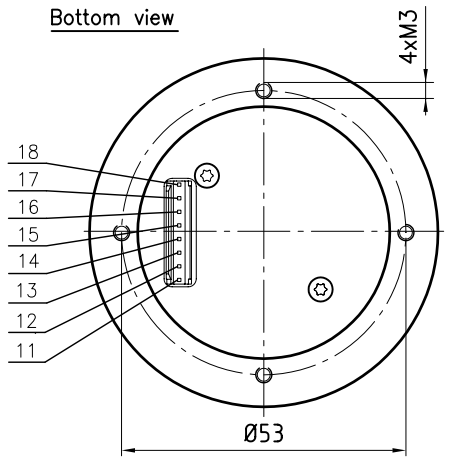


Description	
Joystick Type SK 60-01023	
Number of axes	1-axis, y-axis
Operation by	Goblet-top, handle with pushbutton Put and stay (friction brake)
Cross guidance	none
Switch function	none
Retaining spring	none
Connector:	8-poles: 76384-308
DUBOX Walled Header	
Mating connector:	8-poles: 65240-008
Dubox Housing	
Anti-rotation locking	

Electrical characteristics	
Operating voltage	5 V DC
Sensor	Hall effect
Pushbutton switch	MORS-APEM 13435AD2K

Pin	
11	Supply voltage (5V)
12	Ground
13	Do not use
14	y1 (-y=0.5V, middle=2.5V, +y=4.5V)
15	Do not use
16	y2 (-y=0.5V, middle=2.5V, +y=4.5V)
17	Pushbutton output
18	Do not use

Bottom view



		Oberfläche	Maßstab 1:1	Position	Menge
		Datum	Name	Joystick	
		Bearb. 18.12.13	Kiener M.		
		Gepr.			
		Norm			
		<b>GENGE &amp; THOMA AG</b> <small>01-2543 Lengnau/Biel</small>		60-01023a	
a	AEN-14-008	19.05.14	MK	Blatt	
Zust.	Änderungen	Datum	Name	Bl	
		Dateiname: E:\DWQ\SK_60\1SK60-01023a.dwg			