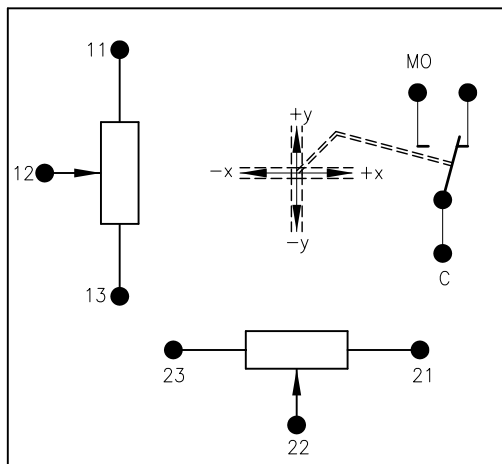
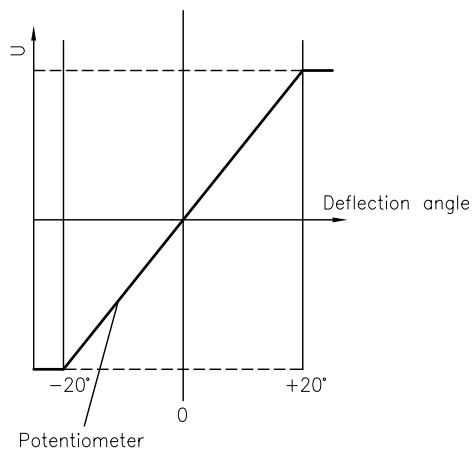


Output diagram



Description	
Joystick type SK 60-0200	
Number of axes	2-axes, x-axis, y-axis
Operation by	Rubber bellow 48-203 (sealed)
<u>Connector:</u> DUBOX Walled Header	2-poles: 76384-302 3-poles: 76384-303
<u>Mating connector:</u> Dubox Housing <u>Anti-rotation locking</u>	2-poles: 65240-02 3-poles: 65240-03
Cross guidance	soft
Center tab	none
Switch point	-
Retaining spring	strong Z-Nr. 50-116

Electrical characteristics	
Resistance value	5 kOhm ± 20%
Power dissipation	0.2 Watt at 40°C per axis
Switch capacity	1mA 5V DC resistive load
Type of switch	Microswitch Burgess V4DT84
Operating voltage	max. 30V DC

Axis	Potentiometer		Connector side	
	Direction	Colour/number	Center tab	Joystick in mid-position
x-axis	↑ +x	21 green		
	Wiper	22 blue		
	↓ -x	23 violet		
y-axis	↑ +y	11 yellow		
	Wiper	12 orange		
	↓ -y	13 red		
Microswitch	↑ common	-		
		C black		
	↓	MO white		

				Oberfläche	Maßstab 1:1	Position	Menge	
				Datum	Name	Joystick		
				Bearb. 01.03.96	DM			
				Gepr.				
				Norm				
c	neues Layout	15.03.02	TZ	GENGE & THOMA AG <small>01-2543 Lengnau/Bläsi</small>			Blatt	
b	Farben geändert	11.97					60-0200Ec	-
a	Pinbeleg geändert 05.96	05.96						Bl
Zust.	Änderungen	Datum	Name	Dateiname: E:\Dwg\SK60\60-0200E.dwg				