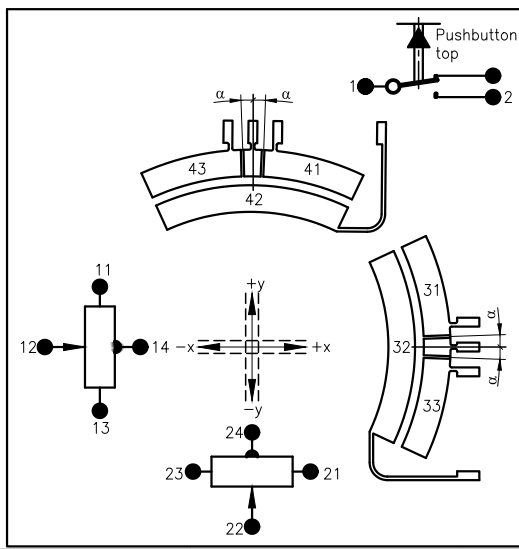
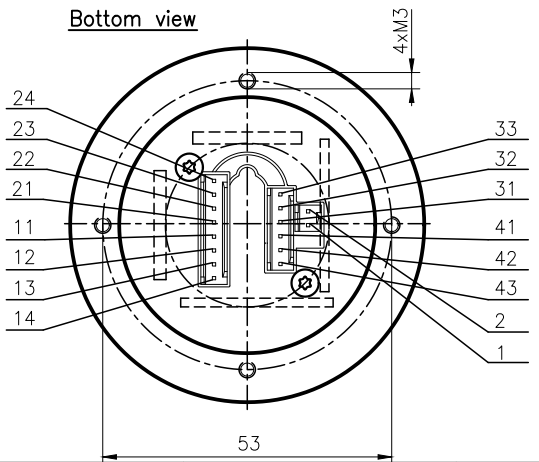
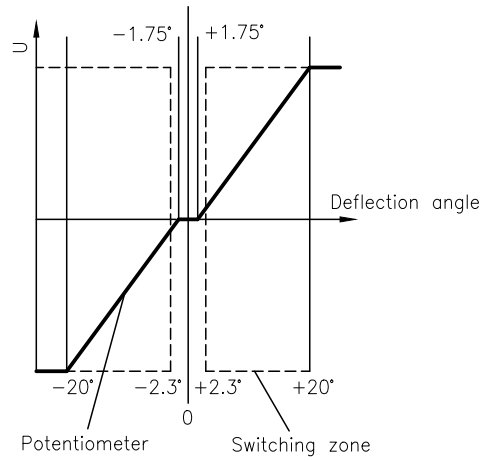


Output diagram



Description	
Joystick type SK 60-0223	
Number of axes	2-axes, x- and y-axis
Operation by	Handle with pushbutton
Connector:	8-poles: 76384-308
DUBOX Walled Header	6-poles: 76384-306
	2-poles: 76384-302
Mating connector:	8-poles: 65240-008
Dubox Housing	6-poles: 65240-006
Anti-rotation locking	2-poles: 65240-302
Cross guidance	soft
Center tab	±1.75°
Retaining spring	strong Z-Nr. 50-116
Switch function	1-0-1 per axis
Switchpoint α	±2.3°

Electrical characteristics	
Resistance value	5 kOhm ± 20%
Power dissipation	0.2 Watt at 40°C per axis
Contact rating	Zero potential difference between segments
	5 V DC, 5mA
Type of switch	MORS-APEM 13435AD2K
Contact rating	15V DC 0.5A max. / 5V DC 10.A
Operarting voltage	30V DC max.

Axes	Potentiometer side		Connector side		
	Direction	Colour/Number	Center tab	Joystick in mid-position	
x-axis	↑ +x	21 green	24 grey	41 orange	open
	Wiper	22 blue		42 red	
	↓ -x	23 violet		43 brown	open
y-axis	↑ +y	11 yellow	14 brown	31 yellow	open
	Wiper	12 orange		32 green	
	↓ -y	13 red		33 blue	offen

Pushbutton in handle			
Switch contact	1	black	
open	2	white	
closed			

		Oberfläche	Maßstab 1:1	Position	Menge
		Datum	Name	Joystick	
		Bearb. 02.11.01	DM		
		Gepr.			
		Norm			
b	AEN-15-017	04.08.15	MK	60-0223Eb	Blatt -
a	neues Layout	26.03.04	TZ		Bl
Zust.	Anderungen	Datum	Name	Dateiname	E:\DWa_SK60\60-0223Eb.dwg