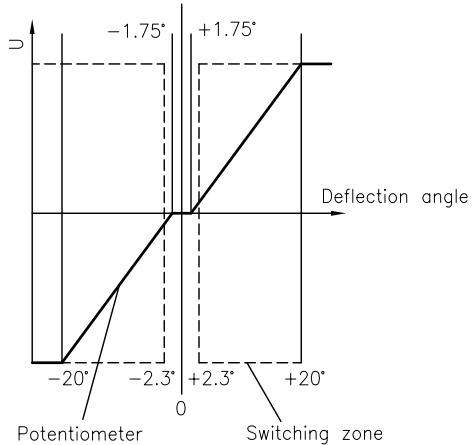


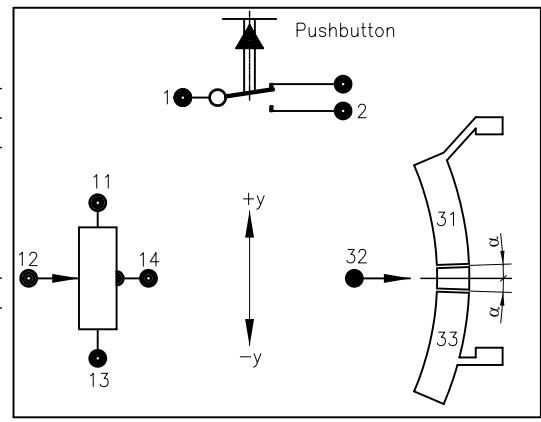
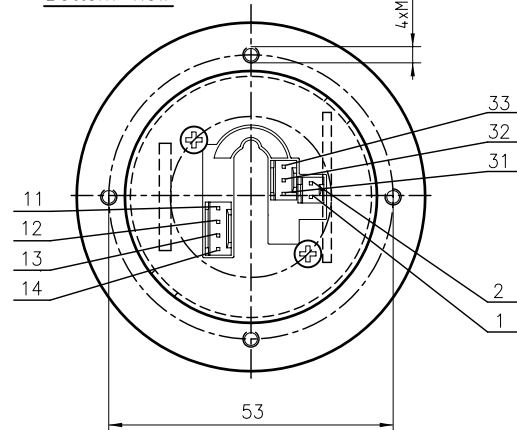
Gate (top view)



Output diagram



Bottom view



Description	
Joystick type SK 60-0224	
Number of axes	1-axis, y-axis
Operation by	Handle with pushbutton sealed
<u>Connector:</u> DUBOX Walled Header	4-poles: 76384-304 3-poles: 76384-303 2-poles: 76384-302
<u>Mating connector:</u> Dubox Housing	4-poles: 65240-004 3-poles: 65240-003
<u>Anti-rotation locking</u>	2-poles: 65240-002
Cross guidance	none
Center tab	±1.75°
Retaining spring	strong Z-Nr. 50-116
Switch function	2 shift segments
Switchpoint α	±2.3°

Electrical characteristics	
Resistance value	5 kOhm ± 20%
Power dissipation	0.2 Watt at 40°C per axis
Contact rating	Zero potential difference between segments 5V DC, 5mA
Pushbutton capacity	max. 15V DC 0.5A / min. 5V DC 10µA
Pushbutton type	MORS-APEM 13435AD2K
Operating voltage	max. 30V DC

Axis	Potentiometer		Connector side	
	Direction	Colour/number	Center tab	Joystick in mid-position
x-axis	↑ +x			
	Wiper			
y-axis	↓ -x			
	↑ +y	11 yellow	31 yellow	open
	Wiper	12 orange	14 brown	32 green
	↓ -y	13 red	33 blue	open

Pushbutton in handle			
Switch contact	1	black	
open	2	white	
closed			

		Oberfläche	Maßstab 1:1	Position	Menge
		Datum	Name	Joystick	
		Bearb. 02.05.97	DM		
		Gepr.			
		Norm			
		GENGE & THOMA AG <small>CH-2543 Lengnau/Biel</small>		60-0224Ea	
a	neues Layout	25.03.04	TZ		
Zust.	Änderungen	Datum	Name	Dateiname: E:\Dwg\SK60\60-0224E.dwg	
				Blatt -	Bl