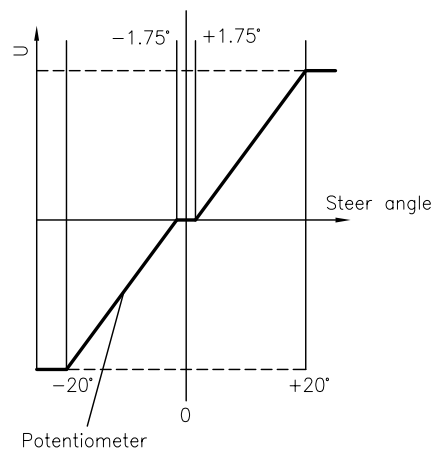
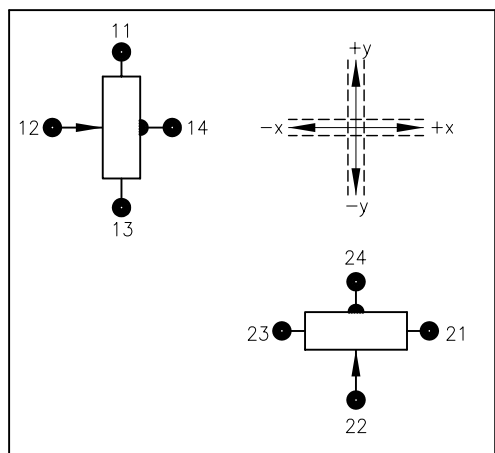
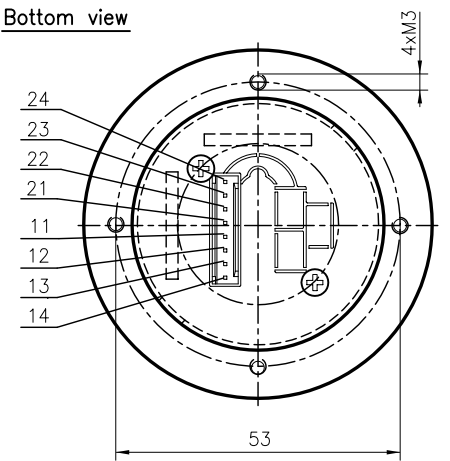


Output diagramm



Bottom view



Description	
Joystick Type SK 60-0230	
Number of axis	2-axis, x-axis, y-axis
Operation by	Rubber bellow 48-203 (sealed)
Plug: DUBOX Walled Header	8-poles: 76384-308
Counter plug: Dubox Housing	8-poles: 65240-008
Crossguide	light
Center tab	±1.75°
Switchpoint α	-
Retaining spring	strong Z-Nr. 50-116

Electrical characteristics	
Resistance value	5 kOhm ± 20%
Power disipation	0.2 Watt at 40°C pro axis
Operating voltage	max. 30V DC

Axis	Potentiometer		Connector side	
	Direction	Color/number	Center tab	Joystick in Mid-position
x-axis	↑ +x	21 green	24 grey	
	Wiper	22 blue		
y-axis	↓ -x	23 violet	14 brown	
	↑ +y	11 yellow		
	Wiper	12 orange		
	↓ -y	13 red		

Pushbutton in Toggle	
Switch contact	
open	
closed	

		Oberfläche	Maßstab 1:1	Position	Menge
		Datum	Name	<b>Joystick</b>	
		Bearb. 01.10.97	DM		
		Gepr.			
		Norm			
		<b>GENGE &amp; THOMA AG</b>		<b>60-0230E a</b>	
		<small>AG 01-2543 Lengnau/Bl</small>			
a	neues Layout	29.03.04	TZ		
Zust.	Änderungen	Datum	Name	Dateiname	E:\DWg SK60\60-0230Ea.dwg
				Blatt	-
					Bl