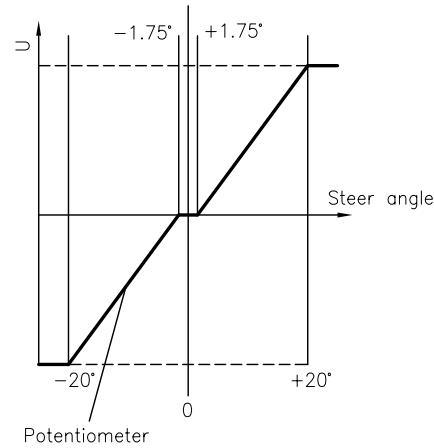
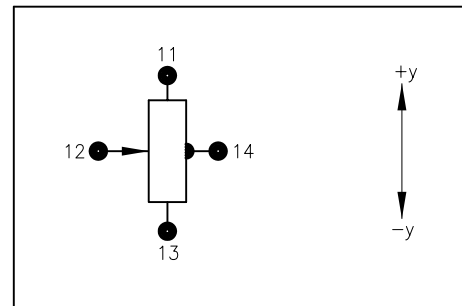
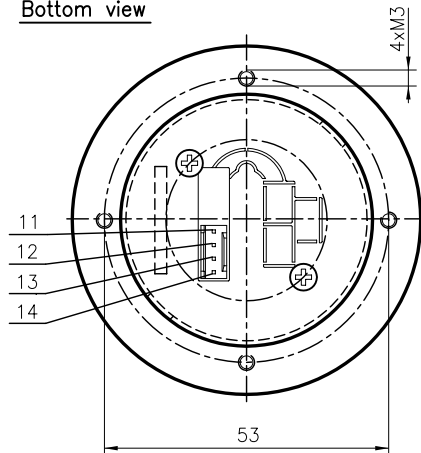


Output diagramm



Bottom view



Description			
Joystick Type SK 60-0231			
Number of axis	1-axis, y-axis		
Operation by	Rubber bellow 48-203 (sealed)		
Plug: DUBOX Walled Header	4-poles: 76384-304		
Counter plug: Dubox Housing	4-poles: 65240-04		
Crossguide	none		
Center tab	±1.75°		
Switch point α	-		
Retaining spring	normal Z-Nr. 60-112		
Electrical characteristics			
Resistance value	5 kOhm ± 20%		
Power disipation	0.2 Watt at 40°C pro axis		
Operating voltage	max. 30V DC		
Axis	Potentiometer	Connector side	
Direction	Colour/ number	Center tab	Joystick in Mid-position
x-axis	↑ +x		
	Wiper		
y-axis	↓ -x		
	↑ +y	11 yellow	
	Wiper	12 orange	14 brown
	↓ -y	13 red	
Pushbutton in Toggle			
Switch	contact		
	open		
	closed		

		Oberfläche	Maßstab 1:1	Position	Menge
		Datum	Name	Joystick	
		Bearb. 01.10.97	DM		
		Gepr.			
		Norm			
		GENGE & THOMA AG		Blatt -	
		AG 01-2543 Lengnau/Biel		60-0231E a	
a	neues Layout	29.03.04	TZ	Bl	
Zust.	Änderungen	Datum	Name	Dateiname: E:\Dwg SK60\60-0231Ea.dwg	