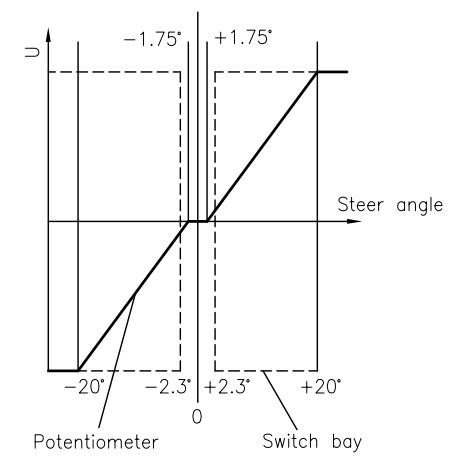
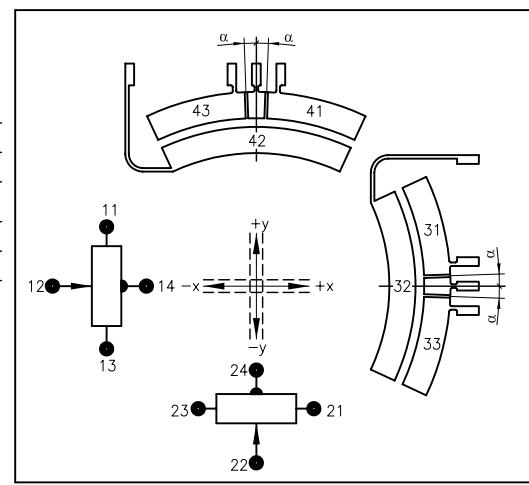
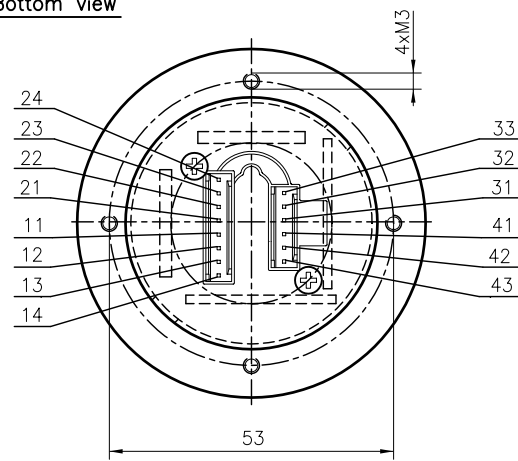


Output diagram



Bottom view



Description						
Joystick Type SK 60-0262						
Number of axes	2-axes, x-axis, y-axis					
Operation by	Rubber bellows 48-203 (sealed)					
Connector: DUBOX Walled Header	8-poles: 76384-308 6-poles: 76384-306					
Mating connector: Dubox Housing Rotated not insertable	8-poles: 65240-008 6-poles: 65240-006					
Cross guidance	soft					
Center tab	±1.75°					
Retaining spring	strong Z-Nr. 50-116					
Switch funktion	2 shifts segments per axis					
Switchpoint α	±2.3°					
Electrical characteristics						
Resistance value	5 kOhm ± 20%					
Power dissipation	0.2 Watt at 40°C per axis					
Contact rating	Zero potential difference between segments 5 V DC, 5 mA					
Operating voltage	max. 30V DC					
Axis	Direction	Potentiometer Colour/ Number	Center tab	Connector side Joystick in mid-position		
x-axis	↑ +x	21 green	24 grey	41 orange	open	
	Wiper	22 blue		42 red	43 brown	open
	↓ -x	23 violet		31 yellow		
y-axis	↑ +y	11 yellow	14 brown	31 yellow	open	
	Wiper	12 orange		32 green	33 blue	open
	↓ -y	13 red		42 red		

		Oberfläche	Maßstab 1:1	Position	Menge
		Datum	Name	Joystick	
		Bearb. 08.02.99	DM		
		Gepr.			
		Norm			
		GENGE & THOMA AG <small>01-2543 Lengnau/Blis</small>		60-0262Eb	
b	mit Doppelscheifer	11.05.09	MK	Blatt -	
a	neues Layout	14.04.04	TZ	Bl	
Zust.	Änderungen	Datum	Name	Dateiname: E:\DWg SK60\60-0262Eb.dwg	