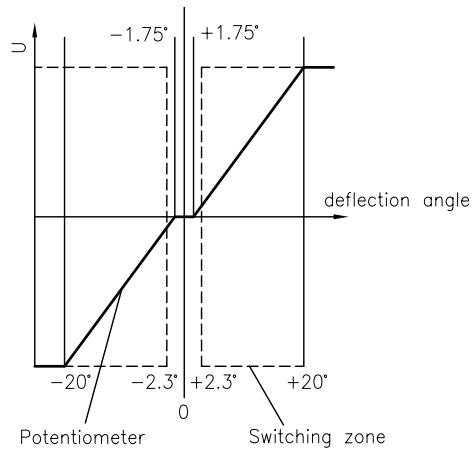


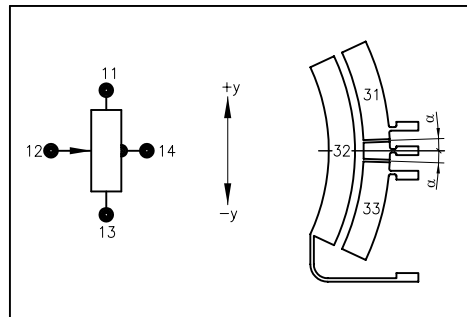
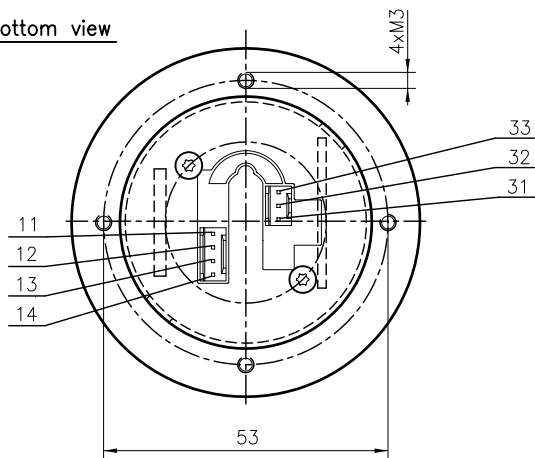
Gate
(Top view)



Output diagram



Bottom view



Description	
Joystick Type SK 60-0272	
Number of axes	1-axis, y-axis
Operation by	Rubber bellow 48-203 (sealed)
<u>Connector:</u> DUBOX Walled Header	4-poles: 76384-304 3-poles: 76384-303
<u>Mating connector:</u> Dubox Housing <u>anti-rotation locking</u>	4-poles: 65240-004 3-poles: 65240-003
Cross guidance	none
Center tab	±1.75°
Retaining spring	normal Z-Nr. 60-112
Switch funktion	2 switching segments
Switch point α	±2.3°

Electrical characteristics	
Resistance value	5 kOhm ± 20%
Power dissipation	0.2 Watt at 40°C per axis
Contact rating	Zero potential difference between segments 5 V DC, 5 mA

Axis	Potentiometer	Connector side	
Direction	Colour/ number	Center tab	Joystick in mid-position
x-axis	↑ +x		
	Wiper		
	↓ -x		
y-axis	↑ +y	11 yellow	31 yellow open
	Wiper	12 orange	14 brown 32 green
	↓ -y	13 red	33 blue open

		Oberfläche	Maßstab 1:1	Position	Menge
		Datum	Name	Joystick	
		Bearb. 28.04.99	DM		
		Gepr.			
		Norm			
		GENGE & THOMA AG <small>OH-2543 Lengnau/Bludenz</small>		60-0272Eb	
b	mit Doppelscheifer	10.11.12	MK	Blatt -	
a	neues Layout	19.04.04	TZ	Bl	
Zust.	Änderungen	Datum	Name	Dateiname: E:\DWG SK60\60-0272Eb.dwg	