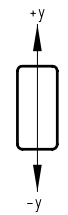
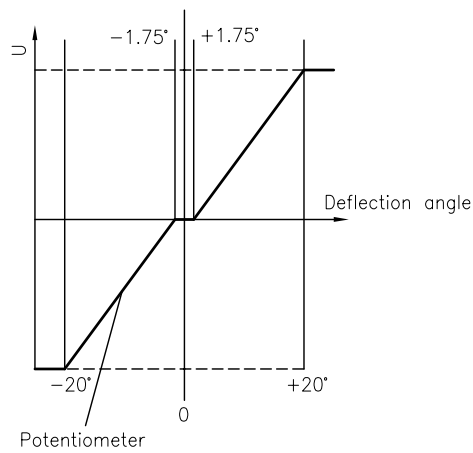


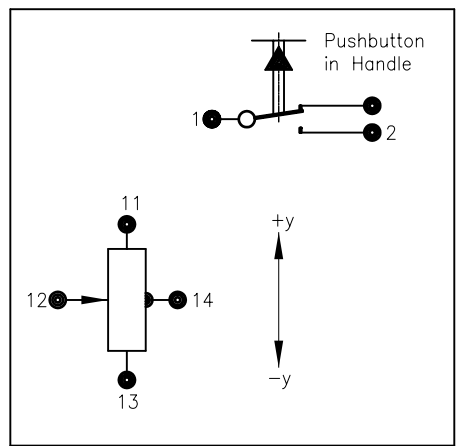
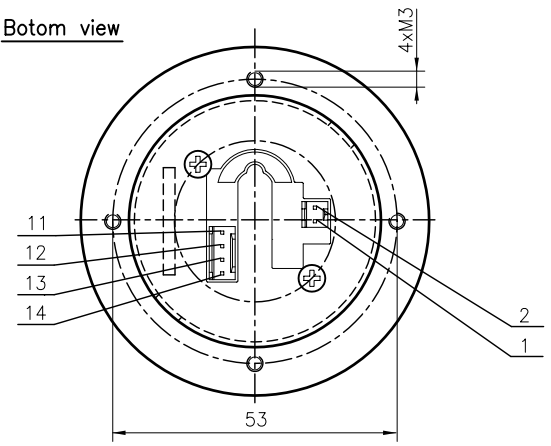
Gate
(Top view)



Output diagram



Bottom view



Description			
Joystick Type SK 60-0274			
Number of axes	1-axis, y-axis		
Operation by	Handle with pushbutton		
Connector: DUBOX Walled Header	4-poles: 76384-304 2-poles: 76384-302		
Mating connector: Dubox Housing Anti-rotation locking	4-poles: 65240-004 2-poles: 65240-002		
Cross guidance	none		
Center tab	±1.75°		
Retaining spring	very strong Z-Nr. 60-112.02		
Switch funktion	none		
Switch point α	-		
Electrical characteristics			
Resistance value	5 kOhm ± 20%		
Power dissipation	0.2 Watt at 40°C per axis		
Contact rating	Zero potential difference between segments		
Pushbutton type	Mushroom button 404119 T&H		
Pushbutton voltage	max. 30V DC 250mA/ min. 5V DC /10uA		
Operating voltage	max. 30V DC		
Axes	Potentiometer	Connector side	
Direction	Colour/ number	Center tab	Joystick in mid-position
x-axis	↑ +x		
	Wiper		
	↓ -x		
y-axis	↑ +y	11 yellow	
	Wiper	12 orange	14 brown
	↓ -y	13 red	
Pushbutton in handle			
Switch contact	1	black	
open	2	white	
closed			

		Oberfläche	Maßstab 1:1	Position	Menge
		Datum	Name	Joystick	
		Bearb. 04.05.99	DM		
		Gepr.			
		Norm			
		GENGE & THOMA AG <small>OH-2543 Lengnau/Bludenz</small>		60-0274Ea	
a	neues Layout	20.04.04	TZ	Blatt -	
Zust.	Änderungen	Datum	Name	Bl	
		Dateiname: E:\DWG SK60\60-0274Ea.dwg			