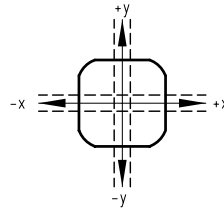
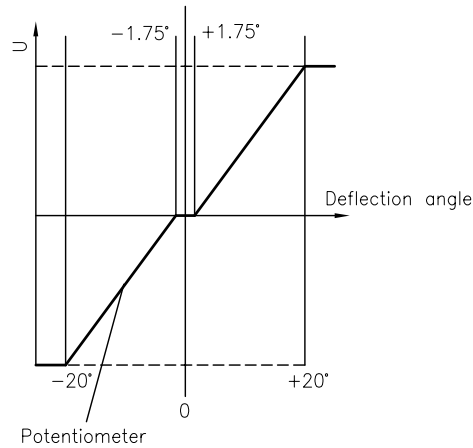


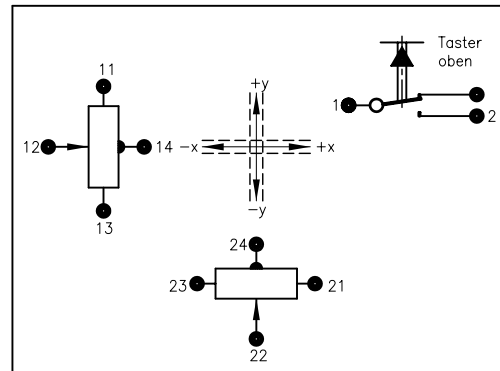
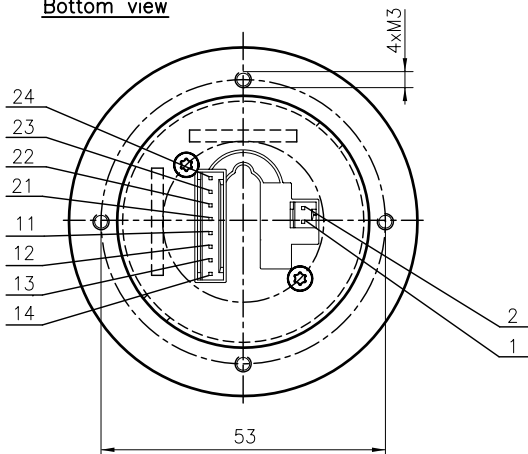
Gate
(Top view)



Output diagram



Bottom view



Description

Joystick type SK 60-0420E	
Number of axes	2-axes, x- and y-axis
Operation by	Handle with pushbutton
Connector: DUBOX Walled Header	8-poles: 76384-308 2-poles: 76384-302
Mating connector: Dubox Housing	8-poles: 65240-008 2-poles: 65240-002
Cross guidance	soft
Center tab	±1.75°
Retaining spring	strong Z-Nr. 50-116
Switch function	no
Switchpoint α	-

Electrical characteristics

Resistance value	5 kOhm ± 20%
Power dissipation	0.2 Watt at 40°C per axis
Type of switch	MORS-APEM 13435AD2K
Pushbutton voltage	min. 5V DC 0.5µA / max. 15V DC 0.5A
Operating voltage	30V DC max.

Axes	Potentiometer side		Connector side
Direction	Colour/Number	Center tab	Joystick in mid-position
x-Axis	↑ +x	21 green	
	Wiper	22 blue 24 grey	
	↓ -x	23 violet	
y-Axis	↑ +y	11 yellow	
	Wiper	12 orange 14 brown	
	↓ -y	13 red	

Pushbutton in handle

Switch contact	1	black
open	2	white
closed		

		Oberfläche	Maßstab 1:1	Position	Menge
		Datum	Name		
		Bearb. 04.02.02	DM		
		Gepr.			
		Norm			
		GENGE & THOMA AG 01-2543 Lengnau/Bliz		Blatt - Bl	
a	neues Layout	12.05.04	TZ	Joystick	
Zust.	Änderungen	Datum	Name	60-0420E a	
		Dateiname: E:\Dwg SK60\60-0420E.dwg			