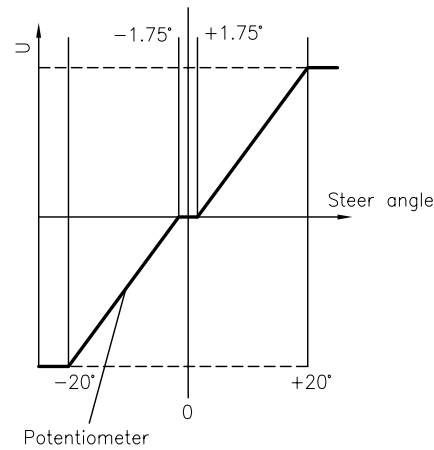


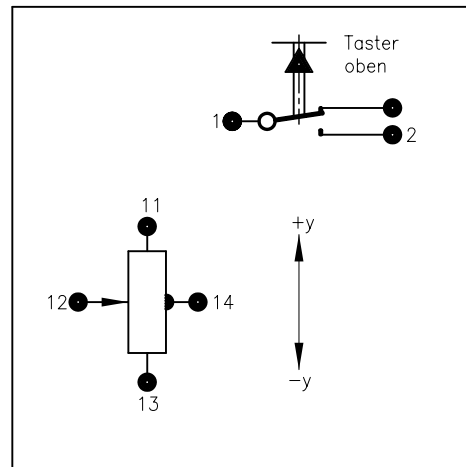
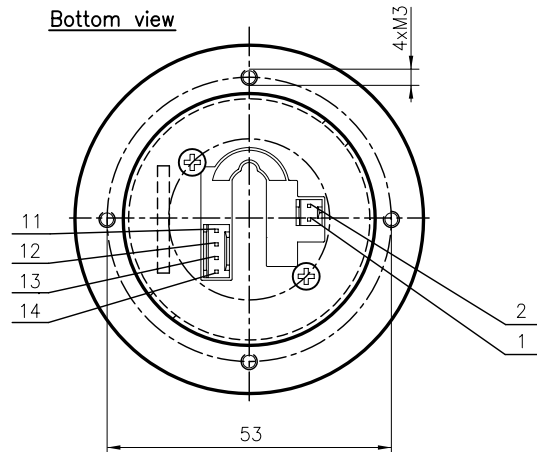
Gate  
(Top view)



Output diagramm



Bottom view



Description			
Joystick Type SK 60-0421E			
Number of axis	2-axis, x- and y-axis		
Operation by	Handle with push-button switch push-button with rotation lock		
Plug: DUBOX Walled Header	4-poles: 76384-304 2-poles: 76384-302		
Counter plug: Dubox Housing ROTATED NOT INSERTABLE	4-poles: 65240-004 2-poles: 65240-002		
Crossguide	light		
Center tab	$\pm 1.75^\circ$		
Retaining spring	strong Z-Nr. 50-116		
Switch function	no		
Switchpoint $\alpha$	-		
Electrical characteristics			
Resistance value	5 kOhm $\pm 20\%$		
Power disipation	0.2 Watt at 40°C per axis		
Push-button switch	MORS-APEM 13435AD2K		
Contact rating	min. 5V DC 10 $\mu$ A / max. 15V DC 0.5A		
Operating voltage	30V DC max.		
Axis	Potentiometer side	Connector side	
	Direction	Colour/ Number	Center tab Joystick in Mid-Position
x-Axis	$\uparrow$ +x		
	Wiper		
y-Axis	$\uparrow$ +y	11 yellow	
	Wiper	12 orange	14 brown
	$\uparrow$ -y	13 red	
Handle with push-button switch			
Switch	contact	1	black
	open	2	white
	closed		

		Oberfläche	Maßstab 1:1	Position	Menge
		Datum	Name	Joystick	
		Bearb. 04.02.02	DM		
		Gepr.			
		Norm			
		<b>GENGE &amp; THOMA AG</b> <small>CH-2543 Lengnau/Biel</small>		60-0421E a	
a	neues Layout	12.05.04	TZ		
Zust.	Änderungen	Datum	Name	Dateiname: E:\Dwg SK60160-0421E.dwg	Blatt - Bl