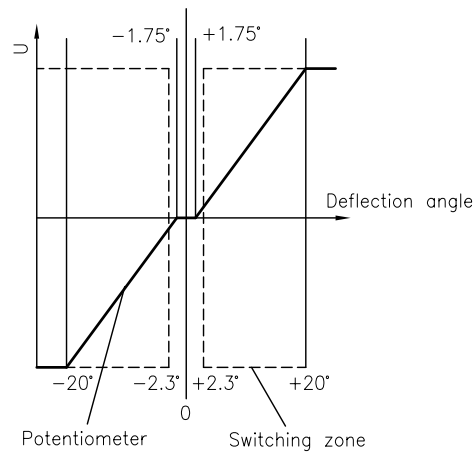


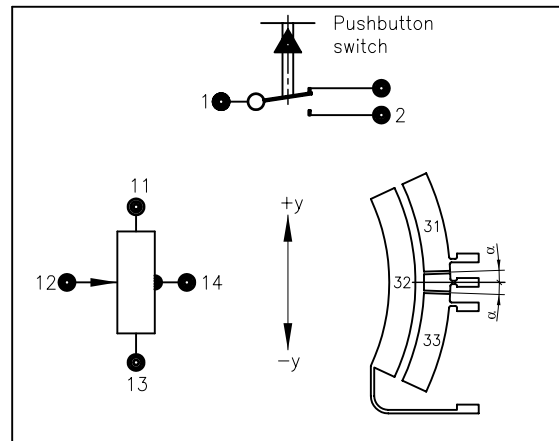
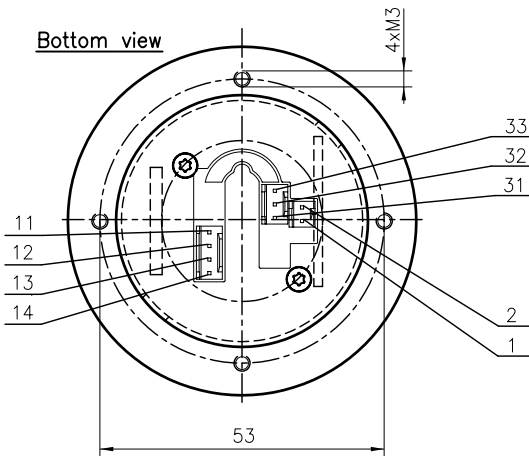
Gate
(Top view)



Output diagram



Bottom view



Description

Joystick Type SK 60-0425E

Number of axes	1-axis, y-axis
Operation by	Handle with pushbutton switch

Connector: DUBOX Walled Header	4-poles: 76384-304 3-poles: 76384-303 2-poles: 76384-302
------------------------------------------	----------------------------------------------------------------

Mating connector: Dubox Housing	4-poles: 65240-004 3-poles: 65240-003
Anti-rotation locking	2-poles: 65240-002

Cross guidance	none
Center tab	±1.75°
Retaining spring	very strong Z-Nr. 60-112.02
Switch function	1-0-1
Switchpoint α	±2.3°

Electrical characteristics

Resistance value	5 kOhm ± 20%
Power dissipation	0.2 Watt at 40°C per axis
Contact rating	Zero potential difference between segments 5 V DC, 5mA
Type of switch	Pushbutton 404119 T&H
Operating voltage	30V DC max.

Axes	Potentiometer side		Connector side	
	Direction	Colour/Number	Center tab	Joystick in mid-Position
x-Axis	↑ +x			
	Wiper			
	↓ -x			
y-Axis	↑ +y	11 yellow	14 brown	31 yellow open
	Wiper	12 orange	14 brown	32 orange
	↓ -y	13 red		33 red open

Handle with pushbutton switch

Switch contact	1	black
open	2	white
closed		

		Oberfläche	Maßstab 1:1	Position	Menge
		Datum	Name		Joystick
		Bearb. 06.03.00	DM		
		Gepr.			
		Norm			60-0425E b
		GEGE & THOMA AG		Blatt -	
b	mit Doppelscheifer	14.09.12	MK	Bl	
a	neues Layout	24.05.04	TZ		
Zust.	Änderungen	Datum	Name	Dateiname: E:\DWG	SK60\60-0425Eb.dwg