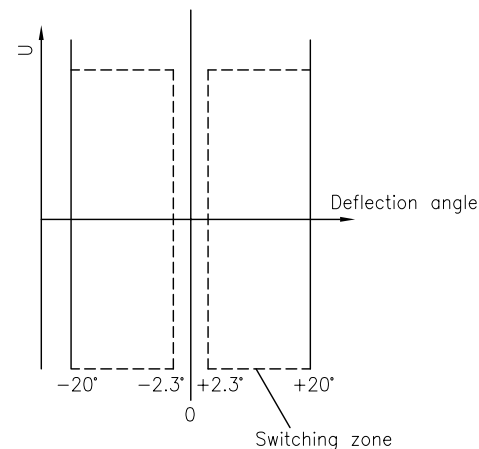
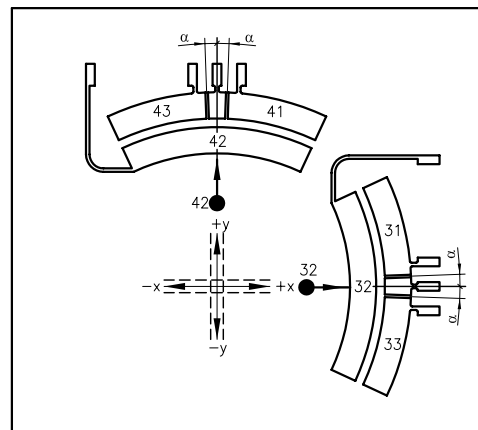
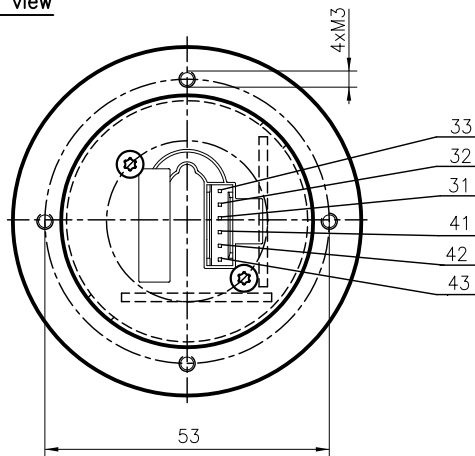


Output diagram



Bottom view



Description				
Joystick type SK 60-0477				
Number of axes	2-axes, x-axis, y-axis			
Operation by	Rubber bellow 48-203 (sealed)			
<u>Connector:</u> DUBOX Walled Header		6-poles: 76384-306		
<u>Mating connector:</u> Dubox Housing		6-poles: 65240-006		
<u>Anti-rotation locking</u>				
Cross guidance	soft			
Center tab				
Retaining spring	strong Z-Nr. 50-116			
Switch function	2 shift segments per axis			
Switch point α	$\pm 2.3^\circ$			
Electrical characteristics				
Resistance value				
Power dissipation				
Contact rating	Zero potential difference between segments 5 V DC, 5 mA			
Operating voltage				
Axis	Direction	Potentiometer Colour/ number	Center tab	Joystick in mid-position
x-axis	↑ +x			41 orange open
	Wiper			42 red
	↓ -x			43 brown open
y-axis	↑ +y			31 yellow open
	Wiper			32 green
	↓ -y			33 blue open
Pushbutton in handle				
Switch contact				
open				
closed				

		Oberfläche	Maßstab 1:1	Position	Menge
		Datum	Name	Joystick	
		Bearb. 30.4.07	DM		
		Gepr.			
		Norm			
		GENGE & THOMA AG			Blatt
		AG 01-2543 Lengnau/Blis			Bl
		Dateiname: E:\Dwg SK60V60-0477E.dwg			
Zust.	Änderungen	Datum	Name		