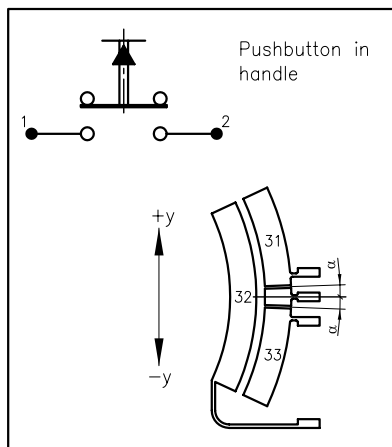
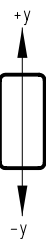
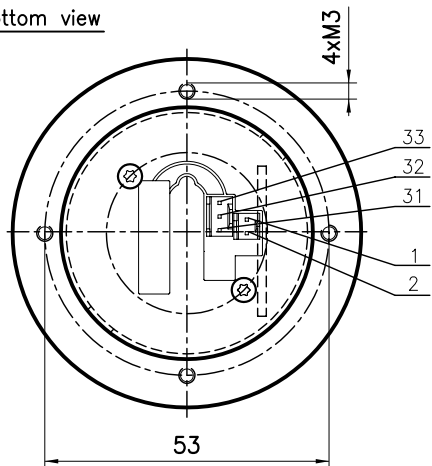


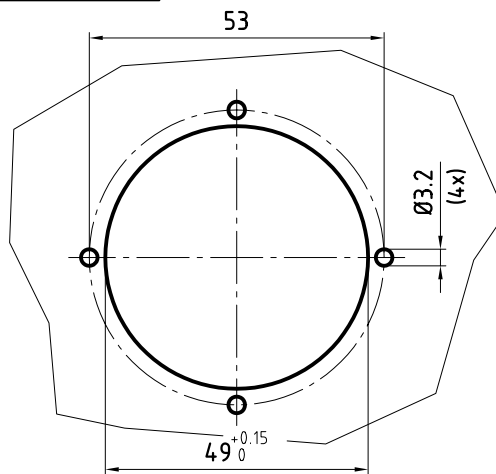
Gate  
(top view)



Bottom view



Mounting holes



Description			
Joystick type SK 60-0494			
Number of axes	1-axis, y-axis		
Operation by	Handle with pushbutton		
Connector:	3-poles: 76384-303 2-poles: 76384-302		
Mating connector:	3-poles: 65240-003 2-poles: 65240-002		
Anti-rotation locking			
Cross guidance	none		
Center tab	-		
Switch function	2 shift segments		
Switchpoint α	±2.3°		
Retaining spring	normal Z-Nr. 60-112		
Electrical characteristics			
Contact rating	Zero potential difference between segments 5 V DC, 5 mA		
Pushbutton type	ITW-Pushbutton Switch blue (Art-Nr. 59-112)		
Pushbutton capacity	30V DC, 400mA		
Axes		Potentiometer	Connector side
Direction		Colour/number	Joystick in mid-position
x-axis	↑ +x		
	Wiper		
	↓ -x		
y-axis	↑ +y		31 yellow open
	Wiper		32 green open
	↓ -y		33 blue open
Pushbutton in handle			
Switch contact	1	white	
open	2	black	

		Oberfläche	Maßstab 1:1	Position	Menge
		Datum	Name	<b>Joystick</b>	
		Bearb. 31.10.07	TZ		
		Gepr.			
		Norm			
		<b>GENGE &amp; THOMA AG</b>		<b>60-0494Ea</b>	
		AG 01-2543 Lengnau/Biel			
a	Mit Doppelschleifer	16.10.12	MK	Blatt	
Zust.	Änderungen	Datum	Name	Bl	
		Dateiname: E:\DWG SK60\60-0494Ea.dwg			