

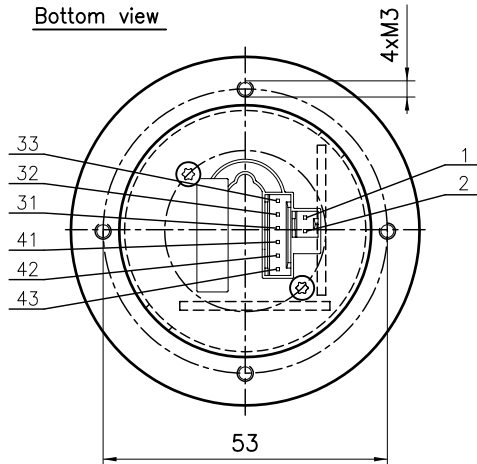
Description	
Joystick Type SK 60-0502	
Number of axes	2-axes, x-axis, y-axis
Operation by	Handle with pushbutton (60-603)
Plug: DUBOX Walled Header	6-poles: 76384-306 2-poles: 76384-302
Counter plug: Dubox Housing Rotated not insertable	6-poles: 65240-006 2-poles: 65240-002
Cross guidance	soft
Center tab	-
Switch funktion	2 shift segments per axis
Switch point α	$\pm 2.3^\circ$
Retaining spring	strong, Z-Nr. 50-116

Electrical characteristics	
Contact rating	Zero potential difference between segments 5 V DC, 5 mA
Type of switch	ITW-Pushbutton Switch red (Art-No. 59-112)
Operating voltage	30V DC, 400mA

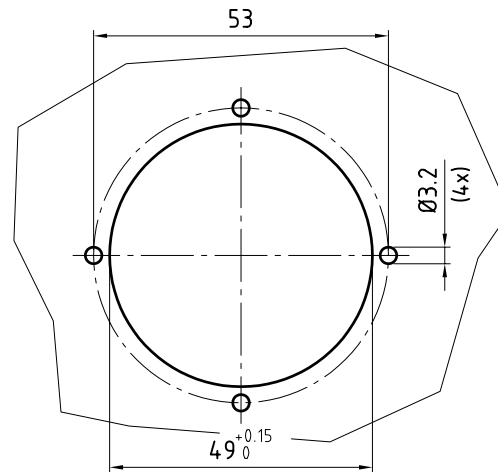
Axes		Potentiometer		Connector side	
Direction		Colour/number		Joystick in mid-position	
x-axis	↑ +x			41 orange	open
	Wiper			42 red	
	↓ -x			43 brown	open
y-axis	↑ +y			31 yellow	open
	Wiper			32 green	
	↓ -y			33 blue	open

Pushbutton in handle			
Switch	Contact	1	white
	open	2	black

Bottom view



Mounting holes



		Oberfläche	Maßstab 1:1	Position	Menge
		Datum	Name	Joystick	
		Bearb. 10.12.07	TZ		
		Gepr.			
		Norm			
		GENGE & THOMA AG <small>01-2543 Lengnau/Biel</small>		Blatt	
		Dateiname: E:\DWG_SK60\60-0502Ea.dwg		Bl	
a	Mit Doppel-Schleifer	06.07.11	MK	60-0502Ea	
Zust.	Änderungen	Datum	Name		