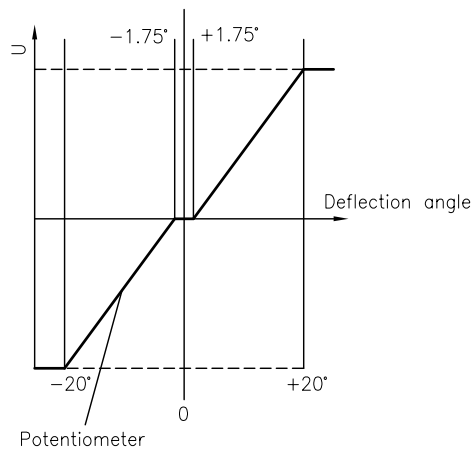
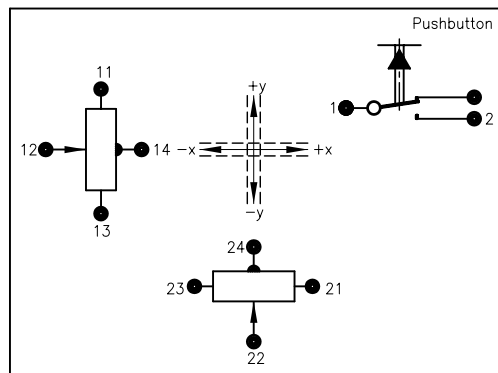
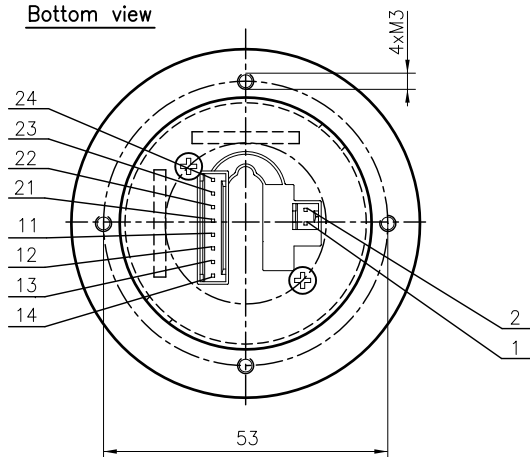


Output diagram



Bottom view



Description

Joystick type SK 60-0531	
Number of axes	2-axes, x-axis, y-axis
Operation by	Handle with pushbutton
<u>Connector:</u> DUBOX Walled Header	8-poles: 76384-308 2-poles: 76384-302
<u>Mating connector:</u> Dubox Housing	8-poles: 65240-008 2-poles: 65240-002
Cross guidance	soft
Center tab	±1.75°
Retaining spring	strong Z-Nr. 50-116
Switch function	none
Switchpoint α	-

Electrical characteristics

Resistance value	5 kOhm ± 20%
Power dissipation	0.2 Watt at 40°C per axis
Pushbutton type	APEM IPR5-SAD-6
Pushbutton capacity	max. 50V DC / 0.2 A
Operating voltage	max. 30V DC

Axes	Potentiometer		Connector side	
	Direction	Colour/ number	Center tab	Joystick in mid-position
x-axis	↑ +x	21 green		
	Wiper	22 blue	24 grey	
	↓ -x	23 violet		
y-axis	↑ +y	11 yellow		
	Wiper	12 orange	14 brown	
	↓ -y	13 red		

Pushbutton in handle

Switch contact	1	black
open	2	white
closed		

		Oberfläche	Maßstab 1:1	Position	Menge
		Datum	Name	Joystick	
		Bearb. 26.02.2008	TZ		
		Gepr.			
		Norm			
		GENGE & THOMA AG		60-0531E	
		<small>AG 01-2543 Lengnau/Biel</small>		Blatt	
		<small>Dateiname: E:\DWG_SK60\60-0531E.dwg</small>		Bl	
Zust.	Änderungen	Datum	Name		