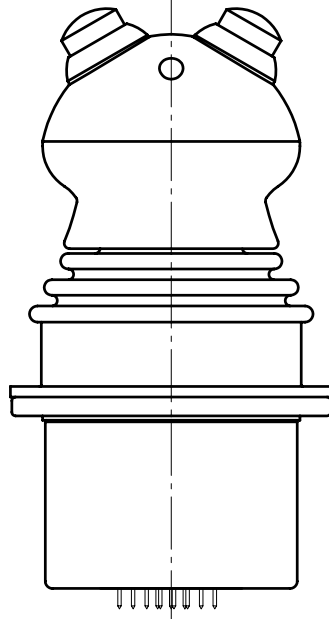
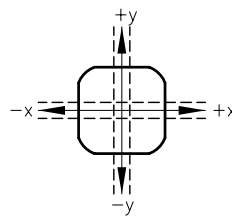


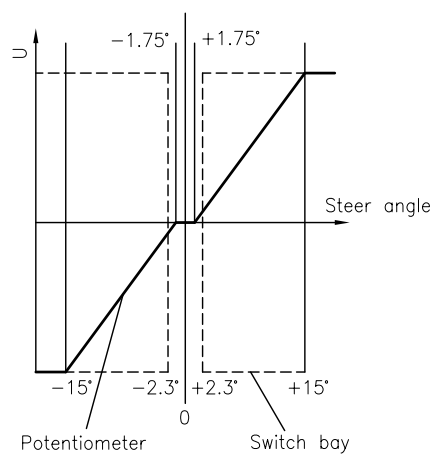
Grey pushbutton Yellow pushbutton



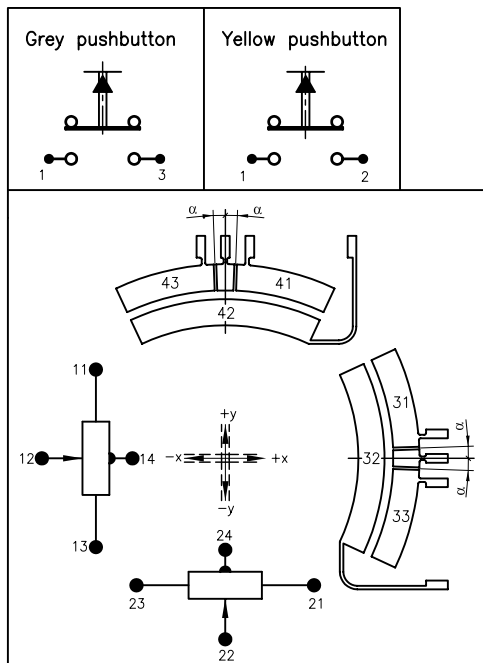
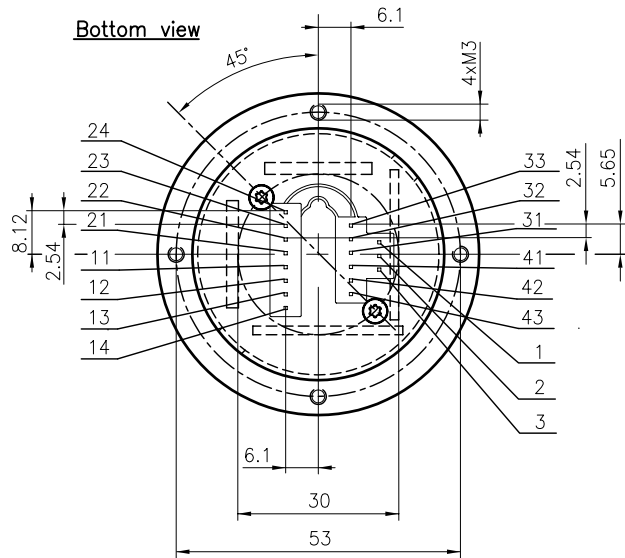
Gate
(Top view)



Output diagramm



Bottom view



Description

Joystick Type SK 60-0538	
Number of axis	2-axis, x-axis, y-axis
Operation by	Handle with 2 Pushbuttons
Plug	BERGSTIK single-row 77311-822-36
Crossguide	light
Center tab	±1.75°
Retaining spring	strong
Switch function	2 shift segments per axis
Switchpoint α	±2.3°

Electrical characteristics

Resistance value	5 kOhm ± 20%
Power disipation	0.2 Watt at 40°C pro axis
Operating voltage	max. 30V DC
Type of switches	Otto Controls, P9 Pushbutton (IP68)
Switches voltage	30 V DC, 5A (Resistive) / 3A (Inductive)
Contact rating	Zero potential difference between segments 5 V DC, 5 mA

Axis	Direction	Potentiometer side		Connector side	
		Colour/Number	Center tab	Joystick in mid-position	
x-axis	↑ +x	21		41	open
	Wiper	22	24	42	
	↓ -x	23		43	open
y-axis	↑ +y	11		31	open
	Wiper	12	14	32	
	↓ -y	13		33	open

Yellow pushbutton in Toggle

Switch contact	2	orange
open	1	red

Grey pushbutton in Toggle

contact	3	brown
Switch open	1	red

Oberfläche		Maßstab 1:1		Position Menge	
Datum Name		Joystick			
Bearb. 16.03.09 Kiener M.					
Gepr. Norm					
Dateiname E:\Dwg\Uwg SK60\160-0538E.dwg		GEGE & THOMA AG		Blatt	
a Mit Doppelschleifer		01.12.09 MK		60-0538E a	
Zust. Änderungen		Datum Name		Bl	