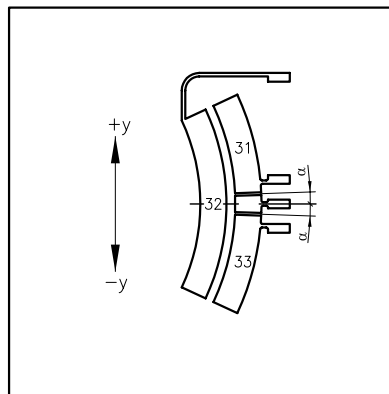
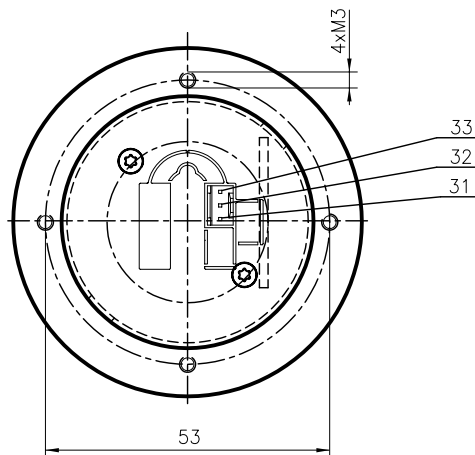
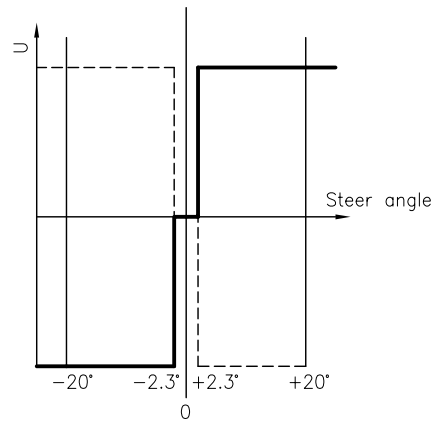


Gate
(Top view)



Output diagramm



Description			
Joystick Type SK 60-0542			
Number of axis	1-axis, y-axis		
Operation by	Gaiter 48-203 (sealed)		
Plug: DUBOX Walled Header	3-poles: 76384-303		
Counterplug: Dubox Housing	3-poles: 65240-003		
Crossguide	none		
Center tab	none		
Retaining spring	normal Z-Nr. 60-112		
Switch function	1-0-1		
Switchpoint α	$\pm 2.3^\circ$		
Electrical characteristics			
Resistance value			
Power dissipation			
Contact rating	Zero potential difference between segments 5 V DC, 5 mA		
Operating voltage	max. 30V DC		
Axis		Potentiometer side	Connector side
	Direction	Colour/ number	Center tab Joystick in mid position
x-axis	↑ +x		
	Wiper		
	↓ -x		
y-axis	↑ +y		31 yellow open
	Wiper		32 green
	↓ -y		33 blue open

		Oberfläche	Maßstab 1:1	Position	Menge
		Datum	Name	Joystick	
		Bearb. 09.12.08	Kiener M.		
		Gepr.			
		Norm			
		GENGE & THOMA AG		60-0542E a	
		AG 01-2543 Lengnau/Bliz			
a	mit Doppelschleifer	14.04.09	MK	Blatt	
Zust.	Änderungen	Datum	Name	Bl	
		Dateiname: E:\DWG SK60\60-0542Ea.dwg			