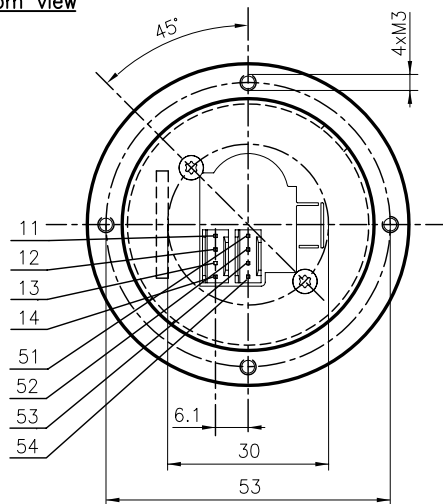


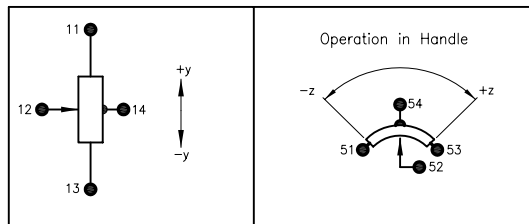
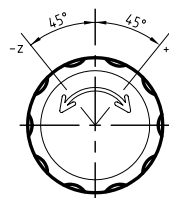
Bottom view



Gate
(Top view)



Steering Angle
(z-axis)



Description			
Joystick Type SK 60-0546			
Number of axis	2-axis, y-axis, z-axis		
Operation by	y-axis: Put and Stay z-axis: integrated in Handle		
Plug: DUBOX Walled Header	2x 4-poles: 76384-304		
Counter plug: Dubox Housing	2x 4-poles: 65240-04		
Crossguide	-		
Center tab	z-axis ±3.5° / y-axis ±1.75°		
Retaining spring	-		
Switchfunction	-		
Switchpoint	-		
Electrical characteristics			
Resistance value	5 kOhm ± 20%		
Power disipation	0.2 Watt at 40°C per axis		
Operating voltage	max. 30V DC		
Axis	Potentiometer		Connector side
	Direction	Colour/ Number	Joystick in mid-position
y-axis	↑ +y	11	14
	Wiper	12	
	↓ -y	13	
z-axis	↑ +z	53	54
	Wiper	52	
	↓ -z	51	

Oberfläche		Maßstab	1:1	Position	Menge
Datum		Name			
Bearb.	08.05.08	M. Kiener			
Gepr.					
Norm					
GENCE & THOMA AG		Blatt			
AG 01-2543 Lengnau/Blot		60-0546E			
Dateiname: E:\DWQ\DWQ_SK60_160-0546E.dwg		Bl			
Zust.	Änderungen	Datum	Name	Dateiname: E:\DWQ\DWQ_SK60_160-0546E.dwg	