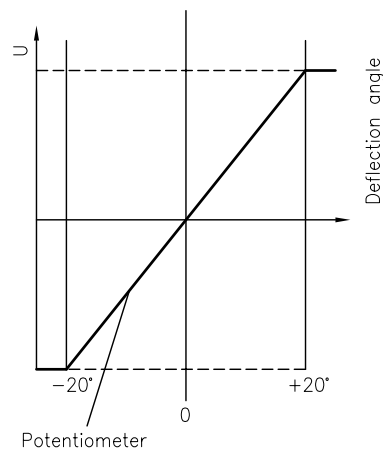
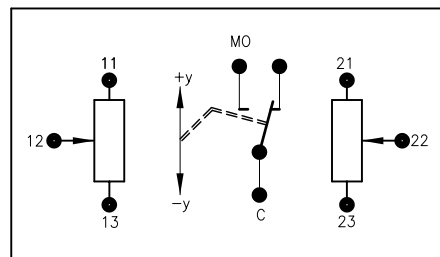
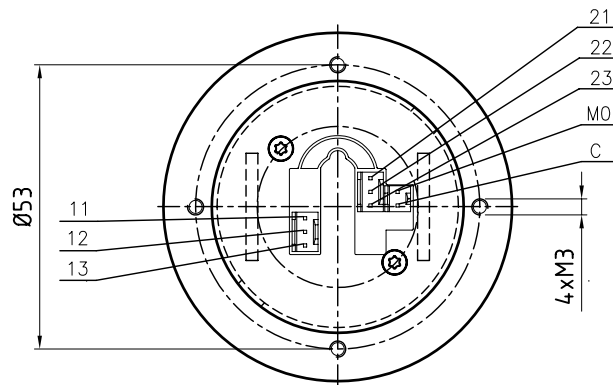


Output diagram



Bottom view



**Description**

Joystick Type SK 60-0551	
Number of axes	1-axis, y-axis
Operation by	handle with locking collar ring & "put and stay" friction break, with rotation locked shaft and with revoluble knob
Connector: DUBOX Walled Header	2x3-poles: 76384-303 2-poles: 76384-302
Mating connector: Dubox Housing	2x3-poles: 65240-003 2-poles: 65240-002
Cross guidance	none
Center tab	none

**Electrical characteristics**

Resistance value	5 kOhm ± 20% (2x)
Power dissipation	0.2 Watt at 40°C
Type of switch	Microswitch
Switch voltage	1 mA 5V DC resistive load
Operating voltage	max. 30V DC

Axis	Potentiometer		Connector side	
	Direction	Colour/number	Center tab	Joystick in mid-position
x-axis	↑ +x			
	Wiper			
y-axis	↓ -x			
	↑ +y	11/21		
	Wiper	12/22		
	↓ -y	13/23		
-	↑ -	-		
Microswitch	common	C black		
-	↓ -	MO white		

		Oberfläche	Maßstab 1:1	Position	Menge
		Datum	Name		
		Bearb. 27.08.08	Kiener M.		
		Gepr.			
		Norm			
		<b>GENGE &amp; THOMA AG</b>			
		01-2543 Lengnau/Blot			
		Dateiname: E:\Dwg\SK60\60-0551E.dwg			
		<b>Joystick</b>			Blatt
					60-0551E
					Bl
Zust.	Änderungen	Datum	Name		