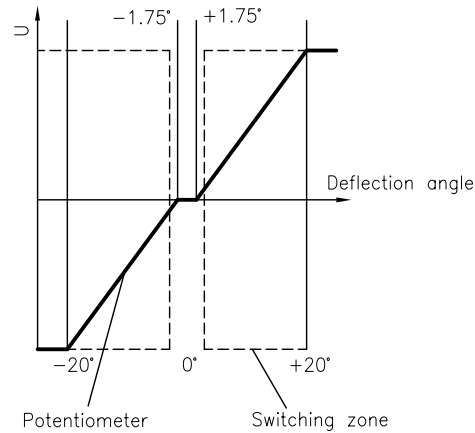
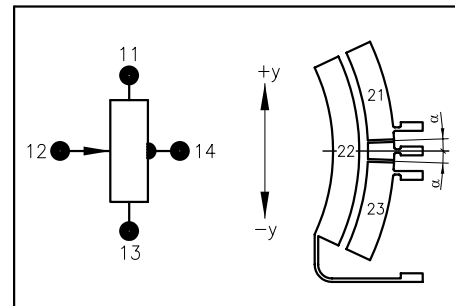
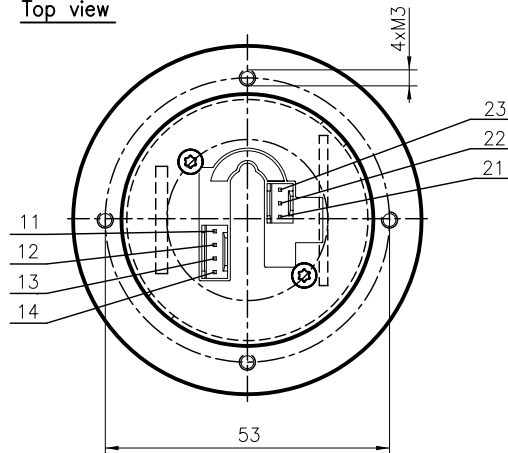


Output diagram



Top view



Description																										
Joystick Type SK 60-0574																										
Number of axes	1-axis, y-axis																									
Operation by	Handle (Z-Nr. 60-565) Put and Stay (friction brake)																									
Plug: DUBOX Walled Header	4-poles: 76384-304 3-poles: 76384-303																									
Counter plug: Dubox Housing <u>Rotated not insertable</u>	4-poles: 65240-004 3-poles: 65240-003																									
Cross guidance	none																									
Center tab	±1.75°																									
Switch function	2 shift segments per axis																									
Electrical characteristics																										
Resistance value	5 kOhm ± 20%																									
Power dissipation	0.2 Watt at 40°C per axis																									
Contact rating	Zero potential difference between segments 5 V DC, 5 mA																									
Operating voltage	max. 30V DC																									
<table border="1"> <thead> <tr> <th>Axes</th> <th>Potentiometer</th> <th colspan="2">Connector side</th> </tr> <tr> <th>Direction</th> <th>Colour/ number</th> <th>Center tab</th> <th>Joystick in mid-position</th> </tr> </thead> <tbody> <tr> <td rowspan="2">x-axis</td> <td>↑ +x</td> <td></td> <td></td> </tr> <tr> <td>Wiper</td> <td></td> <td></td> </tr> <tr> <td rowspan="3">y-axis</td> <td>↑ +y</td> <td>11 yellow</td> <td>21 yellow open</td> </tr> <tr> <td>Wiper</td> <td>12 orange 14 brown</td> <td>22 green</td> </tr> <tr> <td>↓ -y</td> <td>13 red</td> <td>23 blue open</td> </tr> </tbody> </table>		Axes	Potentiometer	Connector side		Direction	Colour/ number	Center tab	Joystick in mid-position	x-axis	↑ +x			Wiper			y-axis	↑ +y	11 yellow	21 yellow open	Wiper	12 orange 14 brown	22 green	↓ -y	13 red	23 blue open
Axes	Potentiometer	Connector side																								
Direction	Colour/ number	Center tab	Joystick in mid-position																							
x-axis	↑ +x																									
	Wiper																									
y-axis	↑ +y	11 yellow	21 yellow open																							
	Wiper	12 orange 14 brown	22 green																							
	↓ -y	13 red	23 blue open																							
Pushbutton in handle																										
Switch	Contact																									
	open																									
	closed																									

		Oberfläche	Maßstab 1:1	Position	Menge
		Datum	Name	Joystick	
		Bearb. 13.08.08	M. Kiener		
		Gepr.			
		Norm			
		GENGE & THOMA AG			Blatt
		AG 01-2543 Lengnau/Blot			Bl
a	Mit Doppel-Schleifer	07.07.11	MK	60-0574Ea	
Zust.	Änderungen	Datum	Name		
		Dateiname: E:\DWG SK60\60-0574Ea.dwg			