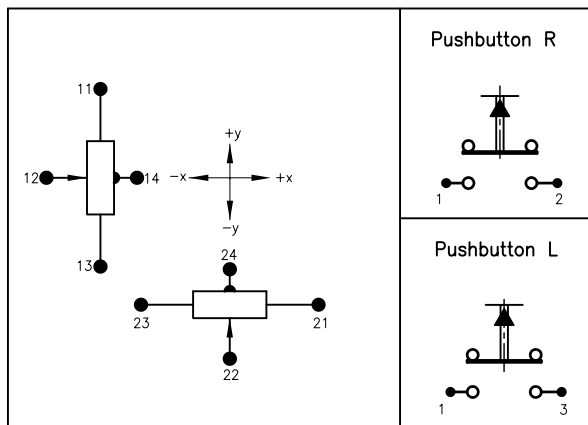
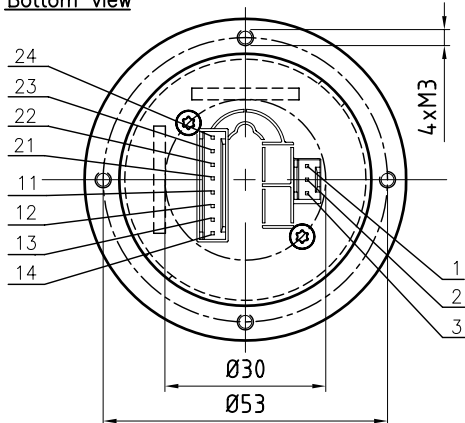


Bottom view



Description	
Joystick Type SK 60-0577	
Number of axes	2-axes, x-axis, y-axis
Operation by	Handle with 2 pushbuttons (anti-twist protection)
Plug: DUBOX Walled Header	8-poles: 76384-308 3-poles: 76384-303
Counter plug: Dubox Housing	Rotated not insertable 8-poles: 65240-008 3-poles: 65240-003
Cross guidance	soft
Center tab	±1.75°
Switch point α	-
Retaining spring	strong Z-Nr. 484-243

Electrical characteristics	
Resistance value	5 kOhm ± 20%
Power dissipation	0.2 Watt at 40°C per axis
Operating voltage	max. 30V DC
Type of switch	Otto Controls, P9 Pushbutton (IP68)
Switch voltage	30 V DC, 5A (Resistive) / 3A (Inductive)

Axes	Potentiometer	Connector side
	Direction	Colour/Number
x-axis	↑ +x	21
	Wiper	22
	↓ -x	23
y-axis	↑ +y	11
	Wiper	12
	↓ -y	13

Pushbutton R in handle			
Switch contact	2	orange	
open	1	red	
Pushbutton L in handle			
contact	3	brown	
Switch open	1	red	

		Oberfläche	Maßstab 1:1	Position	Menge
		Datum	Name	Joystick	
		Bearb. 25.08.08	Kiener M.		
		Gepr.			
		Norm			
		GENGE & THOMA AG <small>CH-2543 Lengnau/Biel</small>		60-0577E	
Zust.	Änderungen	Datum	Name	Dateiname: E:\DWQ\DWQ_SK60_160-0577E.dwg	Blatt
					Bl