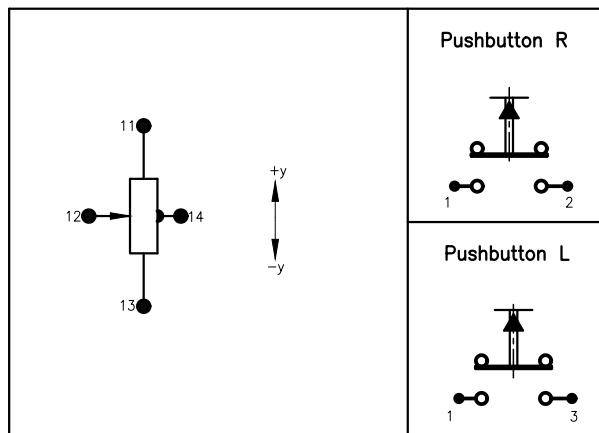
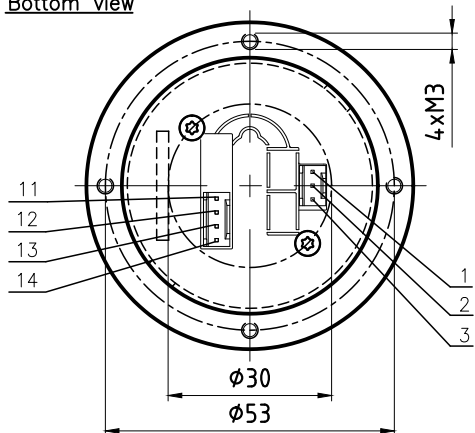


Bottom view



Description	
Joystick Type SK 60-0581	
Number of axes	1-axis, y-axis
Operation by	Handle with 2 pushbuttons (anti-twist protection)
Connector: DUBOX Walled Header	4-poles: 76384-304 3-poles: 76384-303
Mating connector: Dubox Housing	Rotated not insertable 4-poles: 65240-004 3-poles: 65240-003
Cross guidance	none
Center tab	±1.75°
Switch point α	-
Retaining spring	strong Z-Nr. 484-243

Electrical characteristics	
Resistance value	5 kOhm ± 20%
Power dissipation	0.2 Watt at 40°C
Operating voltage	max. 30V DC
Type of switch	Otto Controls, P9 Pushbutton (IP68)
Switch voltage	30 V DC, 5A (Resistive) / 3A (Inductive)

Axes	Potentiometer	Connector side
Direction	Colour/Number	Center tab
x-axis	↑ +x	
	Wiper	
y-axis	↓ -x	
	↑ +y	11
	Wiper	12
	↓ -y	13

Pushbutton R in handle		
Switch contact	2	orange
open	1	red
Pushbutton L in handle		
contact	3	brown
Switch open	1	red

		Oberfläche	Maßstab 1:1	Position	Menge
	Datum	Name	Joystick		
Bearb.	02.09.08	Kiener M.			
Gepr.					
Norm					
		GENGE & THOMA AG	60-0581E	Blatt	
		<small>OH-2543 Lengnau/Blai</small>		Bl	
Zust.	Änderungen	Datum	Name	Dateiname	E:\Dwg\Dwg_SK60_160-0581E.dwg