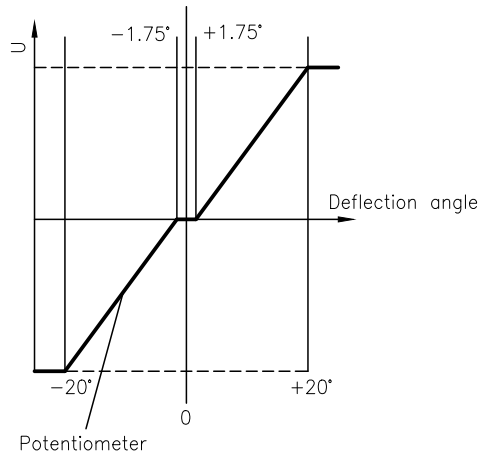
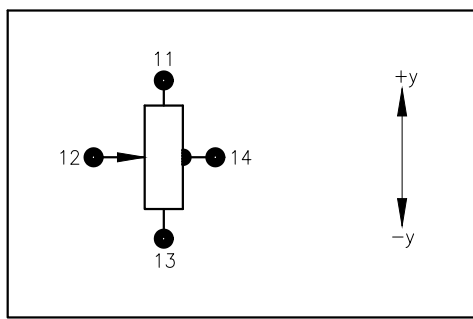
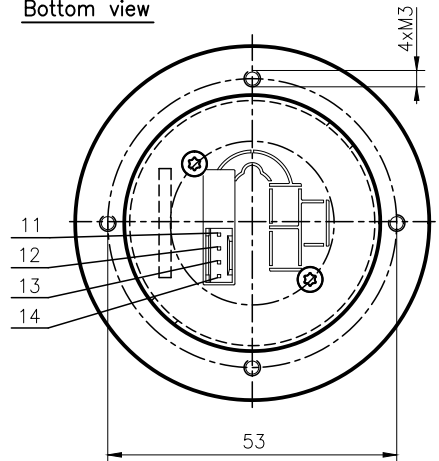


Output diagram



Bottom view



Description	
Joystick type SK 60-0585	
Number of axes	1-axis, y-axis
Operation by	Handle Put and Stay (friction brake)
<b>Connector:</b> DUBOX Walled Header	4-poles: 76384-304
<b>Mating connector:</b> Dubox Housing	4-poles: 65240-04
Cross guidance	none
Center tab	±1.75°
Switch point α	-

Electrical characteristics	
Resistance value	5 kOhm ± 20%
Power dissipation	0.2 Watt at 40°C
Operating voltage	max. 30V DC

Axes	Potentiometer side		Connector side	
	Direction	Colour/Number	Center tab	Joystick in mid-position
x-axis	↑ +x			
	Wiper			
	↓ -x			
y-axis	↑ +y	11 yellow		
	Wiper	12 orange 14 brown		
	↓ -y	13 red		

Handle with pushbutton switch	
Switch contact	
open	
closed	

				Oberfläche	Maßstab 1:1	Position	Menge
				Datum	Name	<b>Joystick</b>	
				Bearb. 01.10.08	Kiener M.		
				Gepr.			
				Norm			
				<b>GENGE &amp; THOMA AG</b>		<b>60-0585Ea</b>	
				AG 01-2543 Lengnau/Biel			
a	Neue Reibbremse-System	29.07.15	MK	Dateiname: E:\DWg SK60\60-0585Ea.dwg		Blatt	
Zust. Änderungen		Datum	Name			Bl	