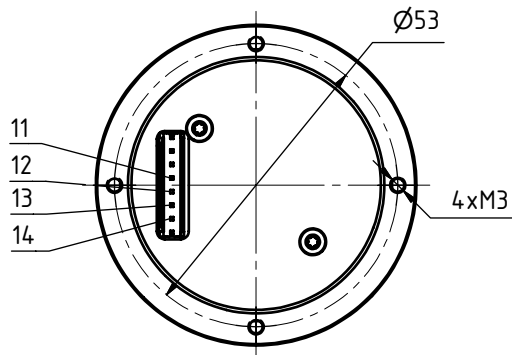
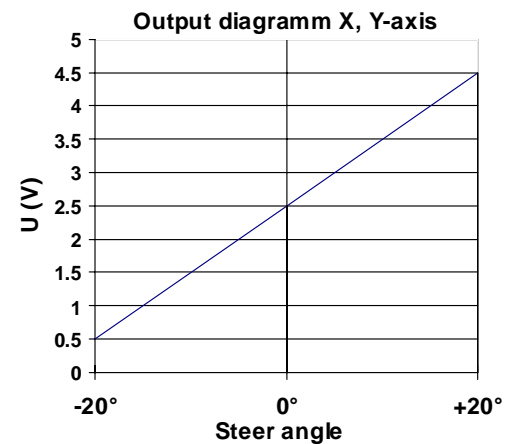


Bottom view



Description	
Joystick Type SK 60-0620	
Number of axis	2-axis, X-,Y-axis
Operation by	Rubber bellow 48-203 (sealed)
Cross guide	light
Retaining spring	normal, Z-Nr. 60-112
Plug:	8-poles: 76384-308
DUBOX Walled Header	
Counter plug:	8-poles: 65240-008
DUBOX Housing	
Electrical characteristics	
Operating voltage	5 V DC
Sensor	Hall principle
Pin	
11	Supply voltage 5V
12	Ground (0V)
13	x (-x=0.5V, middle=2.5V, +x=4.5V)
14	y (-y=0.5V, middle=2.5V, +y=4.5V)



		Oberfläche	Masstab: 1:1	Position:	Menge:
h		Datum	Name		
g		Bearb.	30.06.10	Kiener M.	
f		Geprü.			
e		Norm			
d					
c					
b					
a					
Zust.		Änderungen	Datum	Name	Dateiname: \\Cad6gt\AIDATA-GT\1_GT_Projekte\1_1_Joysticks\SK60\Typenzeichnungen\60-0620.idw

Joystick

SK 60

GENGE & THOMA AG
CH-2543 Lengnau/Biel

60-0620

Blatt
1
1 Bl