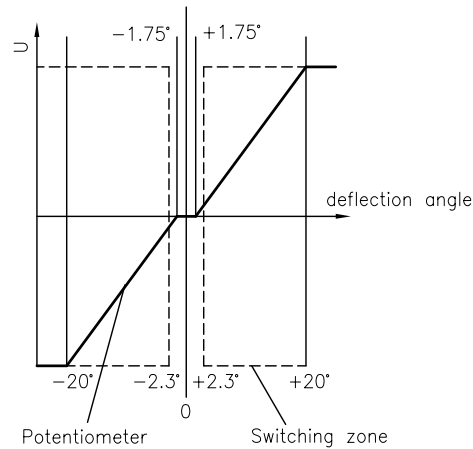


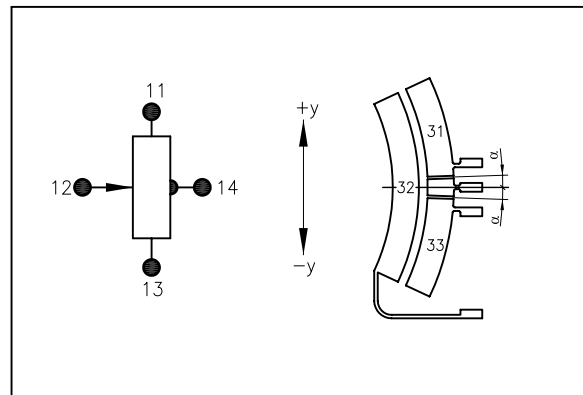
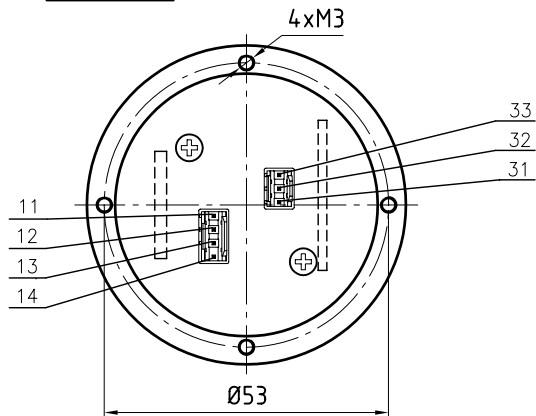
Gate
(Top view)



Output diagram



Bottom view



Description				
Joystick Type SK 60-0630				
Number of axes	1-axis, y-axis			
Operation by	Handle (60-709)			
Connector: DUBOX Walled Header	4-poles: 76384-304 3-poles: 76384-303			
Mating connector: Dubox Housing Anti-rotation locking	4-poles: 65240-004 3-poles: 65240-003			
Cross guidance	none			
Center tab	±1.75°			
Retaining spring	strong Z-Nr. 50-116			
Switch funktion	1-0-1			
Switch point α	±2.3°			
Electrical characteristics				
Resistance value	5 kOhm ± 20%			
Power dissipation	0.2 Watt at 40°C per axis			
Contact rating	Zero potential difference between segments 5 V DC, 5 mA			
Operating voltage	max. 30V DC			
Axis	Potentiometer	Connector side		
	Direction	Colour/ number	Center tab	Joystick in mid-position
x-axis	↑ +x			
	Wiper			
	↓ -x			
y-axis	↑ +y	11 yellow		31 yellow open
	Wiper	12 orange	14 brown	32 green
	↓ -y	13 red		33 blue open

		Oberfläche	Maßstab 1:1	Position	Menge
		Datum	Name	Joystick	
		Bearb. 12.07.09	Kiener M.		
		Gepr.			
		Norm			
		GENGE & THOMA AG <small>OH-2543 Lengnau/Bludenz</small>		60-0630E	
Zust.	Änderungen	Datum	Name	Dateiname: E:\Dwg\SK60\60-0630E.dwg	Blatt - Bl