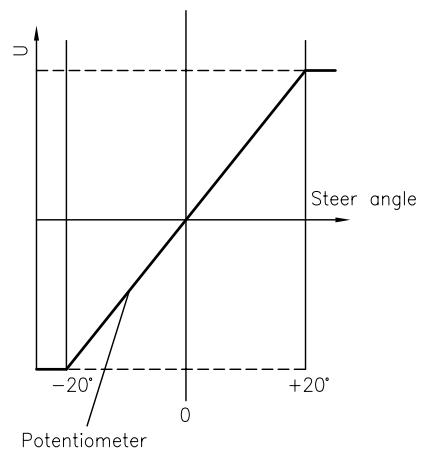
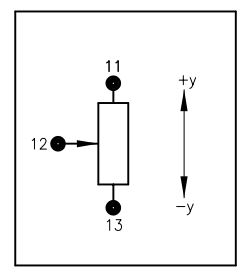
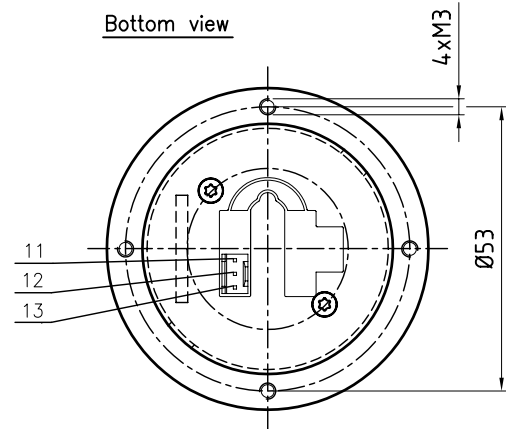


Output diagramm



Bottom view



Description

Joystick Type SK 60-0636	
Number of axis	1-axis, y-axis
Operation by	Handle with friction brake and mechanical locking mechanism
Plug: DUBOX Walled Header	3-poles: 76384-303
Counter plug: Dubox Housing	3-poles: 65240-003
Crossguide	none
Center tab	none
Switch function	none
Schaltpunkt α	-

Electrical characteristics

Resistance value	5 kOhm \pm 20%
Power disipation	0.2 Watt at 40°C
Operating voltage	max. 30V DC

Axis	Potentiometer	Connector side
Direction	Colour/Number	Center tab
x-axis	↑ +x	
	Wiper	
y-axis	↓ -x	
	↑ +y	11 yellow
	Wiper	12 orange
	↓ -y	13 red

		Oberfläche	Maßstab 1:1	Position	Menge
	Datum	Name	Joystick		
	Bearb. 11.08.09	Kiener M.			
	Gepr.				
	Norm				
		GENGE & THOMA AG			Blatt -
		AG 01-2543 Lengnau/Blie			Bl
Zust.	Änderungen	Datum	Name	Dateiname: E:\DWq SK60\60-0636.dwg	