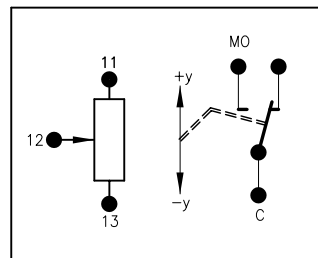
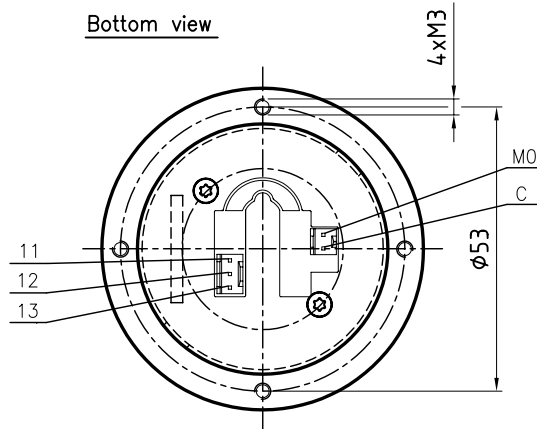


Bottom view



Description			
Joystick Type SK 60-0637			
Number of axis	1-axis, y-axis		
Operation by	handle with locking collar ring & "put and stay" friction break, with rotation locked shaft and with revolable knob		
Plug: DUBOX Walled Header	3-poles: 76384-303 2-poles: 76384-302		
Counter plug: Dubox Housing	3-poles: 65240-003 2-poles: 65240-002		
Crossguide	none		
Center tab	none		
Switch function	none		
Switchpoint $\alpha$	-		
Electrical characteristics			
Resistance value	5 kOhm $\pm$ 20%		
Power disipation	0.2 Watt at 40°C		
Operating voltage	max. 30V DC		
Type of switch	microswitch		
Switched power	1 mA 5V DC resistance last		
Axis	Potentiometer	Connector side	
	Direction	Colour/Number	Center tab
x-axis	↑ +x		Joystick in mid-position
	Wiper		
	↓ -x		
y-axis	↑ +y	11 yellow	
	Wiper	12 orange	
	↓ -y	13 red	
-	↑ -	-	
Microswitch	common	C black	
-	↓ -	MO white	

		Oberfläche	Maßstab 1:1	Position	Menge
	Datum	Name	<b>Joystick</b>		
Bearb.	11.08.09	Kiener M.			
Gepr.					
Norm					
		<b>GENGE &amp; THOMA AG</b>	<b>60-0637 E</b>		
		AG 01-2543 Lengnau/Blie			
Zust.	Änderungen	Datum	Name	Dateiname	E:\Dwg SK60\60-0637E.dwg
					Blatt - Bl