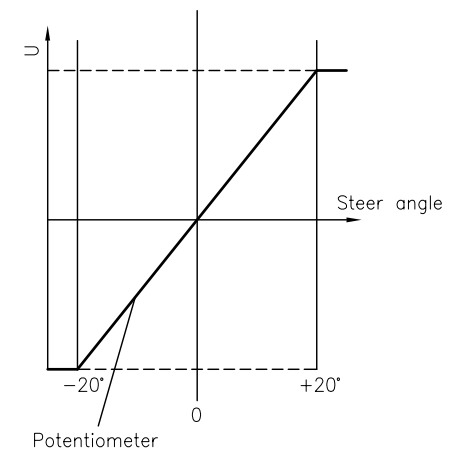
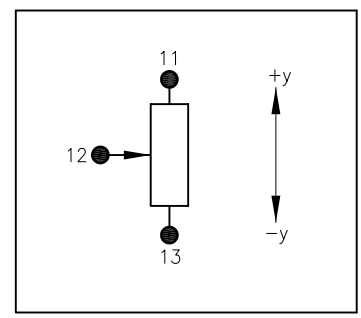
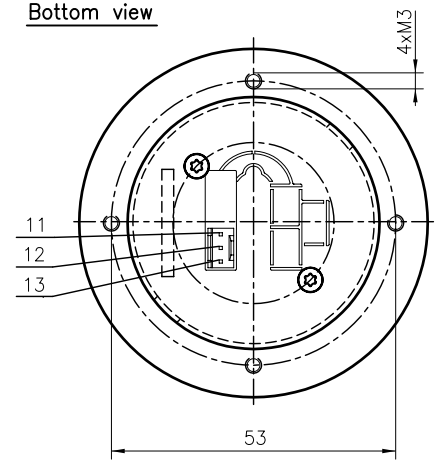


Output diagramm



Bottom view



Description	
Joystick Type SK 60-0662	
Number of axis	1-axis, y-axis
Operation by	Rubber bellow 48-203 (sealed) Put and Stay (friction brake) without neutral region
Plug: DUBOX Walled Header	3-poles: 76384-303
Counter plug: Dubox Housing ROTATED NOT INSERTABLE	3-poles: 65240-03
Crossguide	none
Center tab	none

Electrical characteristics	
Resistance value	5 kOhm ± 20%
Power disipation	0.2 Watt at 40°C per axis
Operating voltage	max. 30V DC

Axis	Potentiometer		Connector side	
	Direction	Colour/ number	Center tab	Joystick in mid-position
x-axis	↑ +x			
	Wiper			
y-axis	↓ -x			
	↑ +y	11 yellow		
	Wiper	12 orange		
	↓ -y	13 red		

		Oberfläche	Maßstab 1:1	Position	Menge
		Datum	Name	<b>Joystick</b>	
		Bearb. 27.11.09	Kiener M.		
		Gepr.			
		Norm			
		<b>GENGE &amp; THOMA AG</b>			Blatt
		AG 01-2543 Lengnau/Blot			Bl
Zust.	Änderungen	Datum	Name	Dateiname: E:\Dwg\SK60V60-0662E.dwg	