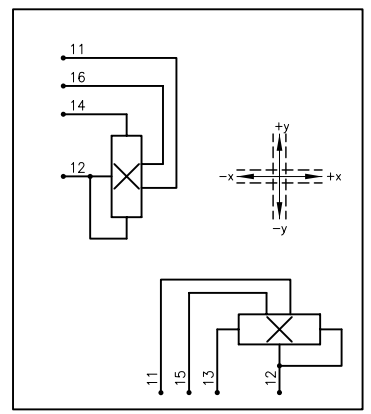
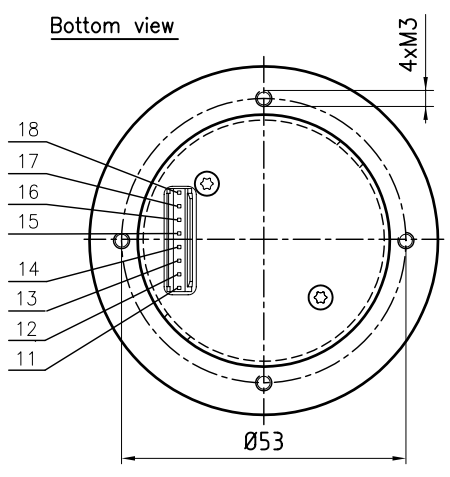
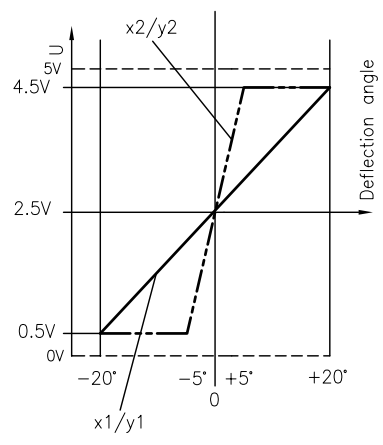


Output diagram



Description	
Joystick type SK 60-0707	
Number of axes	2-axes, x-axis, y-axis
Operation by	Rubber bellow 48-203 (sealed)
Cross guidance	soft
Switch function	none
Retaining spring	normal, Z-Nr. 60-112
Connector:	8-poles: 76384-308
DUBOX Walled Header	
Mating connector:	8-poles: 65240-008
Dubox Housing	
Anti-rotation locking	

Electrical characteristics	
Operating voltage	5 V DC
Sensor	Hall effect technology

Pin	
11	Supply voltage
12	Ground
13	x1 (-x=0.5V, middle=2.5V, +x=4.5V)
14	y1 (-y=0.5V, middle=2.5V, +y=4.5V)
15	x2 (-x=0.5V, middle=2.5V, +x=4.5V)
16	y2 (-y=0.5V, middle=2.5V, +y=4.5V)
17	Do not use
18	Do not use

		Oberfläche	Maßstab 1:1	Position	Menge
		Datum	Name	Joystick	
		Bearb. 06.07.10	Kiener M.		
		Gepr.			
		Norm			
		<b>GENGE &amp; THOMA AG</b> <small>01-2543 Lengnau/Biel</small>		60-0707	
Zust.	Änderungen	Datum	Name	Dateiname: E:\DWG\LSK_60\LSK60-0707.dwg	Blatt
					Bl