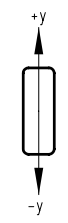
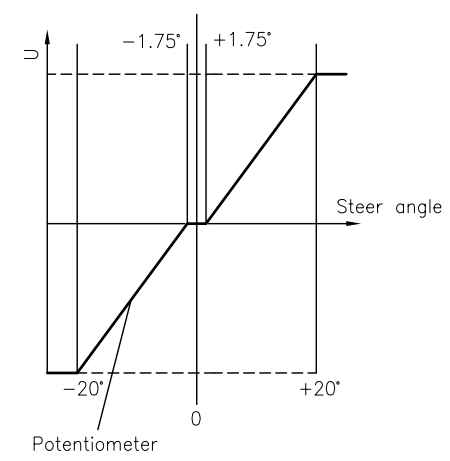


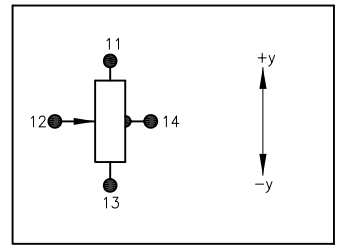
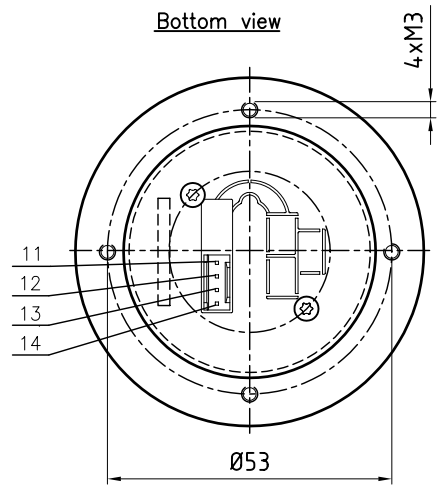
Gate
(Top view)



Output diagram



Bottom view



| Description | | | |
|----------------------------------------------------------|---------------------|----------------|--------------------------|
| Joystick Type SK 60-0710 | | | |
| Number of axis | 1-axis, y-axis | | |
| Operation by | Handle (60-709) | | |
| Plug: DUBOX Walled Header | 4-poles: 76384-304 | | |
| Counter plug: Dubox Housing Rotated not insertable | 4-poles: 65240-004 | | |
| Cross guide | none | | |
| Center tab | ±1.75° | | |
| Retaining spring | strong Z-Nr. 50-116 | | |
| | | | |
| | | | |
| Electrical characteristics | | | |
| Resistance value | 5 kOhm ± 20% | | |
| Power dissipation | 0.2 Watt at 40°C | | |
| Operating voltage | max. 30V DC | | |
| | | | |
| | | | |
| Axis | Potentiometer | Connector side | |
| Direction | Colour/Number | Center tab | Joystick in mid-position |
| x-axis | ↑ +x | 14 brown | |
| | Wiper | | |
| | ↓ -x | | |
| y-axis | ↑ +y | 11 yellow | |
| | Wiper | 12 orange | |
| | ↓ -y | 13 red | |

| | | Oberfläche | Maßstab 1:1 | Position | Menge |
|-------|------------|-----------------------------------------------------|-------------|------------------------------------------|-------|
| | | Datum | Name | Joystick | |
| | | Bearb. 15.07.10 | Kiener M. | | |
| | | Gepr. | | | |
| | | Norm | | | |
| | | GENGE & THOMA AG 01-2543 Lengnau/Bliz | | 60-0710E | |
| Zust. | Änderungen | Datum | Name | Dateiname: E:\Dwg\0Dwg_SK60\60-0710E.dwg | Blatt |
| | | | | | Bl |