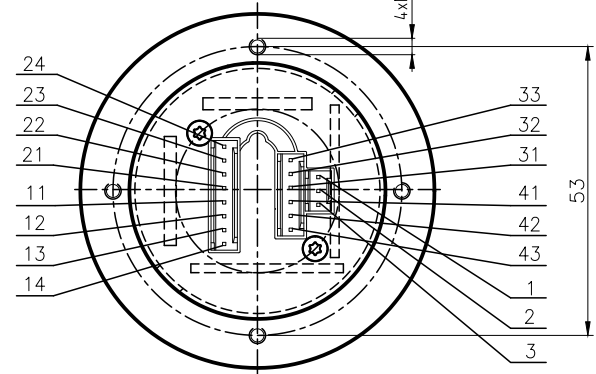


Bottom view



Description				
Joystick Type SK 60-0713				
Number of axis	2-axis, x-axis, y-axis			
Operation by	Handle with 2 Pushbuttons			
Plug: DUBOX Walled Header	8-poles: 76384-308 6-poles: 76384-306 3-poles: 76384-303			
Counter plug: Dubox Housing	8-poles: 65240-008 6-poles: 65240-006 3-poles: 65240-003			
Crossguide	soft			
Center tab	±1.75°			
Retaining spring	very hard Z-Nr. 60-112.02			
Switch function	2 shift segments per axis			
Switchpoint α	±2.3°			
Electrical characteristics				
Resistance Value	5 kOhm ± 20%			
Power disipation	0.2 Watt at 40°C per axis			
Contact rating	Zero potential difference between segments 5 V DC, 5 mA			
Switch top	Dome pushbutton 404119 T&H			
Switch voltage top	30V DC 250mA			
Switch lateral	ITW-Switch Nr. 59-900089			
Switch voltage lateral	30V DC 400mA			
Operating voltage	max. 30V DC			
Axis	Potentiometer side	Connector side		
Direction	Colour/number	Center tab	Joystick in mid-position	
x-axis	↑ +x	21 green	41 orange	open
	Wiper	22 blue	24 grey	42 red
	↓ -x	23 violet		43 brown
y-axis	↑ +y	11 yellow	31 yellow	open
	Wiper	12 orange	14 brown	32 green
	↓ -y	13 red		33 blue
Pushbuttons in Toggle				
Switch top	contact	1	grey	
	open	2	white	
Switch lateral	contact	3	black	
	open	2		

		Oberfläche	Maßstab 1:1	Position	Menge
		Datum	Name	Joystick	
		Bearb. 03.02.11	Kiener M.		
		Gepr.			
		Norm			
		GENGE & THOMA AG <small>CH-2543 Lengnau/Biel</small>		60-0713	
Zust.	Änderungen	Datum	Name	Dateiname E:\DWG_SK60\60-0713.dwg	Blatt
					Bl