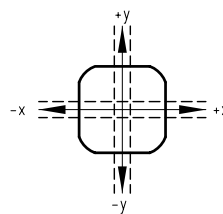
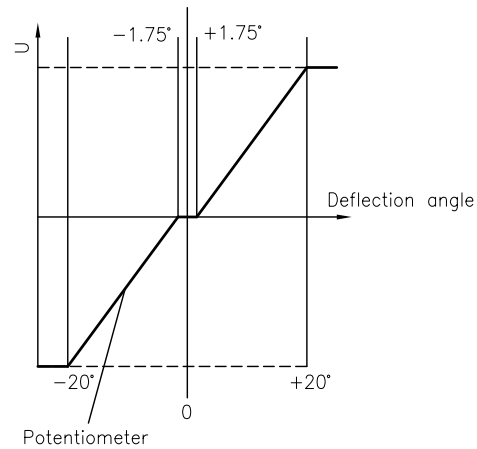


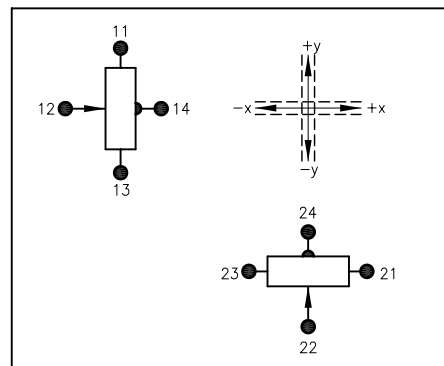
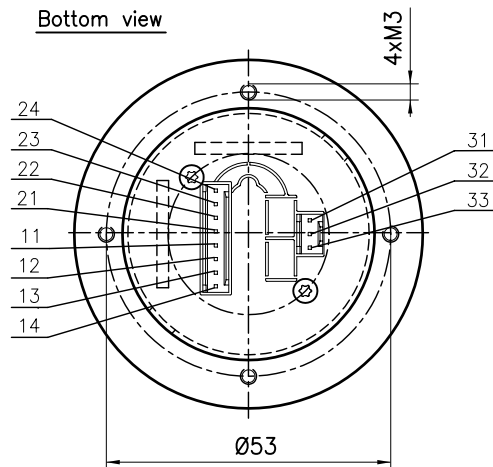
Gate
(Top view)



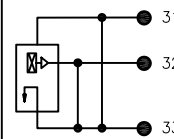
Output diagram



Bottom view



Rocker Switch



Description			
Joystick Type SK 60-0722			
Number of axes	2-axes, x- and y-axis		
Operation by	Handle with Rocker Switch		
Connector: DUBOX Walled Header	8-poles: 76384-308 3-poles: 76384-303		
Mating connector: Dubox Housing	8-poles: 65240-008 3-poles: 65240-003		
Cross guidance	soft		
Center tab	±1.75°		
Retaining spring	strong Z-Nr. 60-646		
Switch function	no		
Switchpoint α	-		
Electrical characteristics			
Resistance value	5 kOhm \pm 20%		
Power disipation	0.2 Watt at 40°C per axis		
Operating voltage	30V DC max.		
Type of switch	Hall effect Rocker Switch / 5V DC, 50mA		
Axis	Potentiometer side	Connector side	
	Direction	Colour/ Number	Center tab Joystick in Mid-Position
x-Axis	↑ +x	21 green	
	Wiper	22 blue	24 grey
	↓ -x	23 violet	
y-Axis	↑ +y	11 yellow	
	Wiper	12 orange	14 brown
	↓ -y	13 red	
Rocker Switch im Handle (pin)			
31 red	Supply voltage 5V		
32 yellow	Output (-s=0.5V / middle=2.5V / +s=4.5V)		
33 black	Ground		

		Oberfläche	Maßstab 1:1	Position	Menge
	Datum	Name	Joystick		
	Bearb. 01.09.10	M. Kiener			
	Gepr.				
	Norm				
		GENGE & THOMA AG <small>01-2543 Lengnau/Bliz</small>		60-0722	
Zust.	Änderungen	Datum	Name	Dateiname: E:\DWq SK60\60-0722.dwg	Blatt Bl