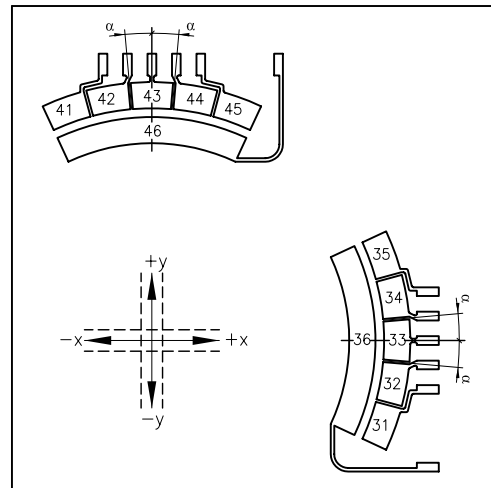
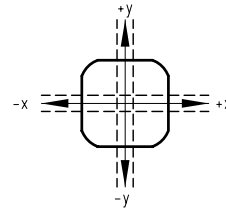
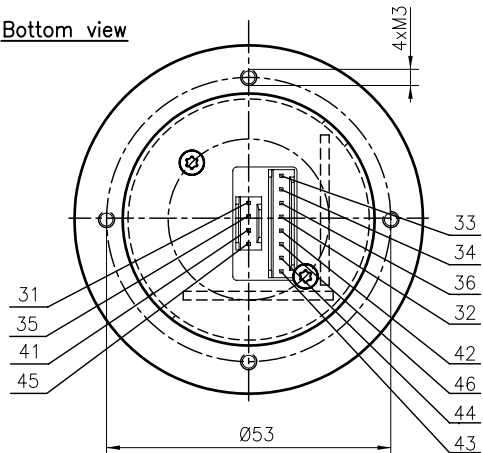


Gate
(Top view)



Bottom view



Description			
Joystick Type SK 60-0724			
Number of axis	2-axis, x- and y-axis		
Operation by	Handle 48-203 (sealed)		
Plug: DUBOX Walled Header	8-poles: 76384-308 4-poles: 76384-304		
Counter plug: Dubox Housing	8-poles: 65240-008 4-poles: 65240-004		
Crossguide	light		
Center tab	-		
Retaining spring	strong Z-Nr. 50-116		
Switch function	2-1-2 per axis		
Switchcontact α	$\pm 5^\circ$		
Notches	5 per axis		
Electrical characteristics			
Contact rating	Zero potential difference between segments 5 V DC, 5mA		
Axis		Potentiometer side	Connector side
	Direction	Colour/ Number	Center tab Joystick in Mid-Position
x-Axis	↑ +x		45 44 46 43 42 41
	Wiper		open open closed open open
	↓ -x		
y-Axis	↑ +y		35 34 36 33 32
	Wiper		open open closed open open
	↓ -y		31

		Oberfläche	Maßstab 1:1	Position	Menge
		Datum	Name	Joystick	
		Bearb. 10.09.10	Kiener M.		
		Gepr:			
		Norm			
		GENGE & THOMA AG <small>OT-2543 Lengnau/Blot</small>			Blatt
		Dateiname: E:\Dwg SK60\60-0724.dwg			Bl
Zust.	Änderungen	Datum	Name		