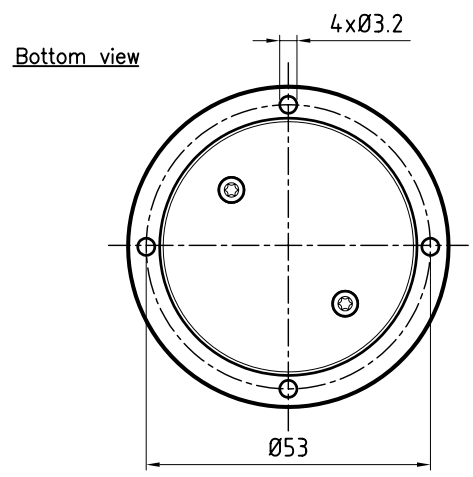
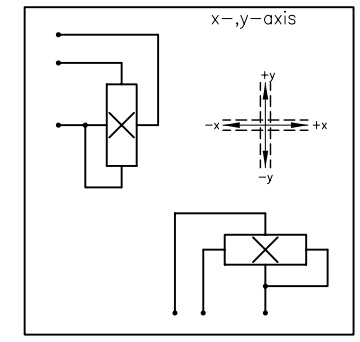


Description	
Joystick Type SK 60-0760	
Number of axis	2-axis, x-axis, y-axis
Operation by	Snag handle black
Cross guide	soft
Retaining spring	normal Z-Nr. 60-112
Plug	Mini-USB type B
Electrical characteristics	
Operating voltage	5V DC
Sensor	Hall principle



		Oberfläche	Maßstab 1:1	Position	Menge
		Datum	Name	Joystick	
		Bearb. 26.01.11	Kiener M.		
		Gepr.			
		Norm			
		GENGE & THOMA AG			Blatt
		01-2543 Lengnau/Blot			Bl
Zust.	Änderungen	Datum	Name	Dateiname: E:\DWG\DWG_SK60_160-0760.dwg	

60-0760