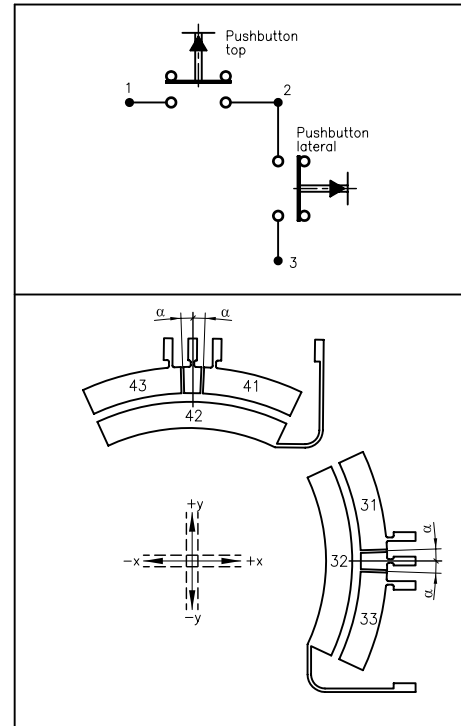
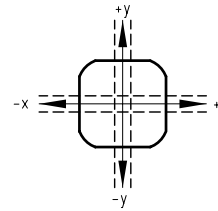
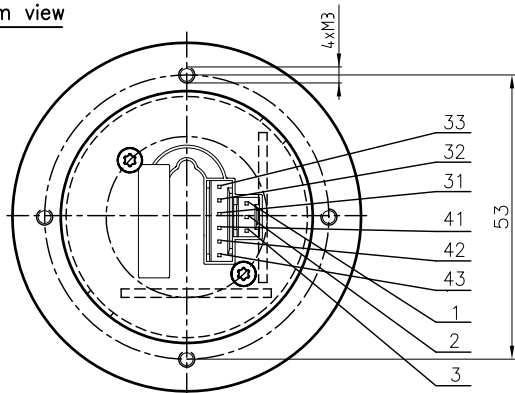


Gate
(Top view)



Bottom view



Description

Joystick Type SK 60-0764	
Number of axis	2-axis, x-axis, y-axis
Operation by	Handle with 2 Pushbuttons
Plug: DUBOX Walled Header	6-poles: 76384-306 3-poles: 76384-303
Counter plug: Dubox Housing	6-poles: 65240-006 3-poles: 65240-003
Crossguide	soft
Retaining spring	very hard Z-Nr. 60-112.02
Switch function	2 shift segments per axis
Switchpoint α	$\pm 2.3^\circ$

Electrical characteristics

Operating voltage	max. 30V DC
Contact rating	Zero potential difference between segments 5 V DC, 5 mA
Switch top	Dome pushbutton 404119 T&H
Switch voltage top	30V DC 250mA
Switch lateral	ITW-Switch Nr. 59-900089
Switch voltage lateral	30V DC 400mA

Axis	Potentiometer side		Connector side	
	Direction	Colour/ number	Center tab	Joystick in mid-position
x-axis	↑ +x			41 orange open
	Wiper			42 red
	↓ -x			43 brown open
y-axis	↑ +y			31 yellow open
	Wiper			32 green
	↓ -y			33 blue open

Pushbuttons in Toggle

Switch top	contact	1	grey
	open	2	white
Switch lateral	contact	3	black
	open	2	

		Oberfläche	Maßstab 1:1	Position	Menge
		Datum	Name	Joystick	
		Bearb. 03.02.11	Kiener M.		
		Gepr.			
		Norm			
		GENGE & THOMA AG <small>CH-2543 Lengnau/Blis</small>			Blatt
		Dateiname: E:\Dwg SK60160-0764.dwg			Bl
Zust.	Änderungen	Datum	Name		