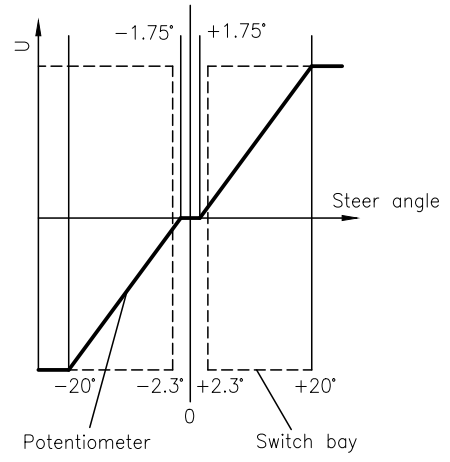
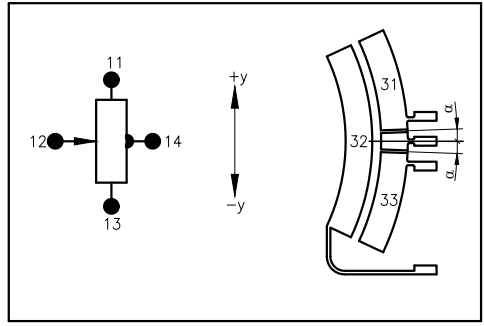
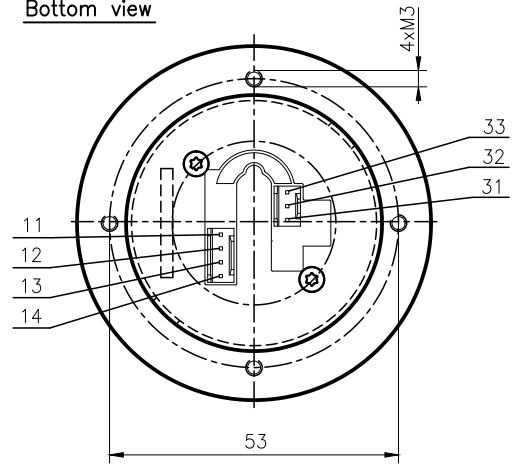


Output diagramm



Bottom view



Description	
Joystick Type SK 60-0767	
Number of axis	1-axis, y-axis
Operation by	Snag handle black
Plug: DUBOX Walled Header	4-poles: 76384-304 3-poles: 76384-303
Counter plug: Dubox Housing	4-poles: 65240-04 3-poles: 65240-03
Crossguide	none
Center tab	±1.75°
Switch point α	±2.3°

Electrical characteristics	
Resistance value	5 kOhm ± 20%
Power dissipation	0.2 Watt at 40°C
Operating voltage	max. 30V DC
Contact rating	Zero potential difference between segments 5 V DC, 5 mA

Axis	Potentiometer side		Connector side	
	Direction	Colour/ Number	Center tab	Joystick in Mid-Position
x-Axis	↑ +x			
	Wiper			
y-Axis	↑ +y	11 yellow	31 yellow	open
	Wiper	12 orange	14 brown	32 green
	↓ -y	13 red	33 blue	open

Oberfläche		Maßstab 1:1	Position	Menge
Datum		Name		
Bearb.	23.02.11	Kiener M.		
Gepr.				
Norm				
GENGE & THOMA AG		60-0767		Blatt
OH-2543 Lengnau/Biel				Bl
Zust.	Änderungen	Datum	Name	Dateiname E:\Dwg SK60\60-0767.dwg