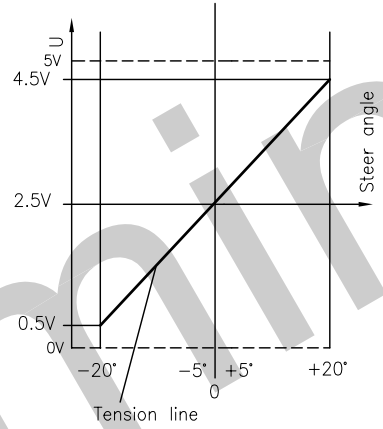
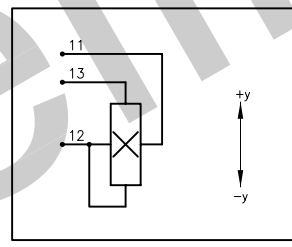
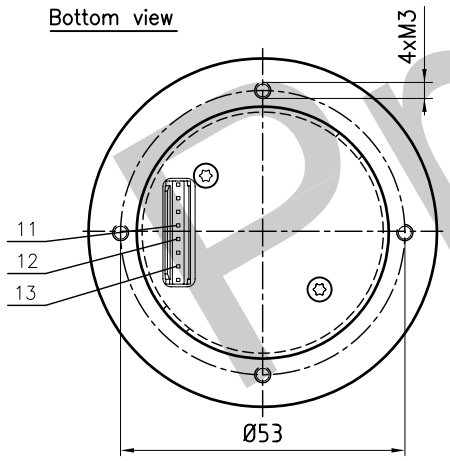


Output diagramm



Bottom view



Description	
Joystick Type SK 60-0772	
Number of axis	1-axis, y-axis
Operation by	Snag handle (black) Put and Stay (friction brake)
Cross guide	none
Switch function	none
Retaining spring	none
Plug: DUBOX Walled Header	8-poles: 76384-308
Counter plug: Dubox Housing ROTATED NOT INSERTABLE	8-poles: 65240-008
Electrical characteristics	
Operating voltage	5 V DC
Sensor	Hall principle
Pin	
11	Supply voltage
12	Ground
13	y (-y=0.5V, middle=2.5V, +y=4.5V)

		Oberfläche	Maßstab 1:1	Position	Menge
		Datum	Name	Joystick	
		Bearb. 21.03.11	Kiener M.		
		Gepr.			
		Norm			
		GENGE & THOMA AG <small>OT-2543 Lengnau/Biel</small>			Blatt
		Dateiname: E:\DWG\LSK_60\LSK60-0772.dwg			Bl
Zust.	Änderungen	Datum	Name		