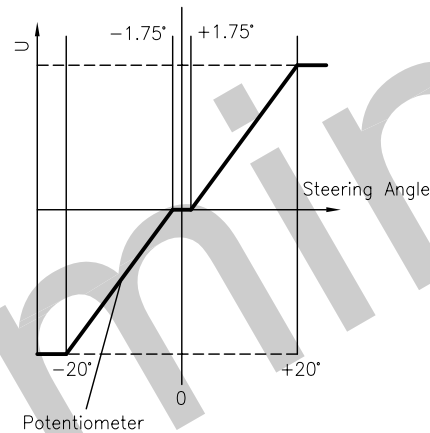
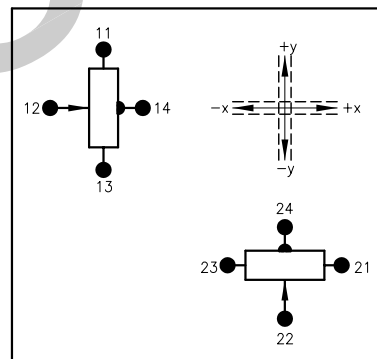
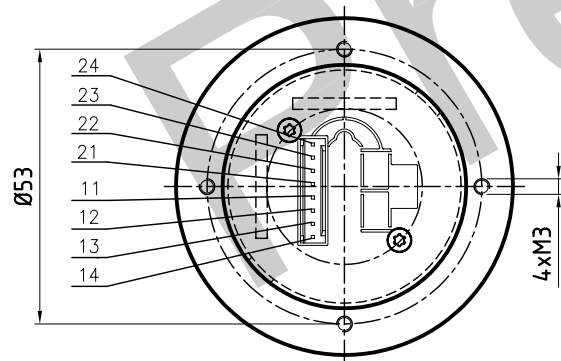


Output diagram  
X-axis / Y-axis



Bottom view



**Description**

Joystick Type SK 60-0773

Number of axis	2-axis, x-axis, y-axis
Operation by	Alu Knob, anodized red
Plug: DUBOX Walled Header	8-poles: 76384-308
Counter Plug: Dubox Housing	8-poles: 65240-008
Crossguide	soft
Center tab	±1.75°
Retaining spring	strong Z-Nr. 50-116
Switch function	none
Switchpoint α	-

**Electrical characteristics**

Operating voltage	max. 30V DC
Resistance value	5 kOhm ± 20%
Power dispaton	0.2 Watt bei 40°C per Axis

Axis	Potentiometer side		Connector side	
	Direction	Colour/Number	Center tab	Joystick in Mid-position
x-axis	↑ +x	21 green		
	Wiper	22 blue	24 grey	
	↓ -x	23 violet		
y-axis	↑ +y	11 yellow		
	Wiper	12 orange	14 brown	
	↓ -y	13 red		

		Oberfläche	Maßstab 1:1	Position	Menge
		Datum	Name		
		Bearb. 21.03.11	Kiener M.		
		Gepr.			
		Norm			
		<b>GENGE &amp; THOMA AG</b>		Blatt -	
		Dateiname: E:\DWG_SK60160-0773.dwg		Bl -	
Zust.	Änderungen	Datum	Name		

Joystick

60-0773