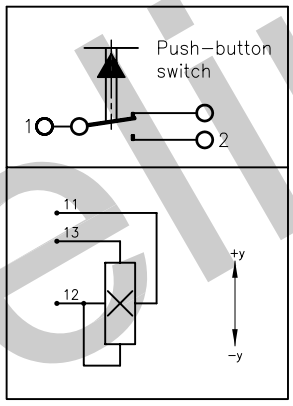
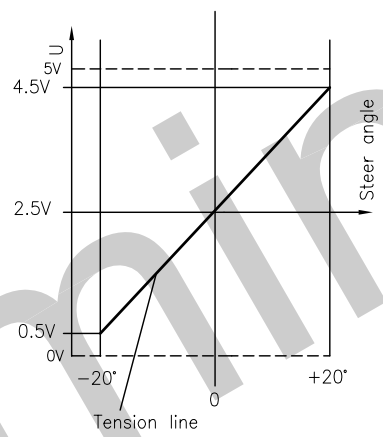
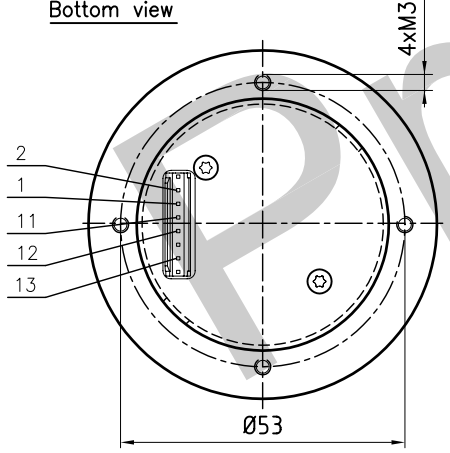


Output diagramm



Bottom view



Description			
Joystick Type SK 60-0780			
Number of axis	1-axis, y-axis		
Operation by	Handle with Pushbutton Put and Stay (friction brake)		
Cross guidance	none		
Switch function	none		
Retaining spring	none		
Plug: DUBOX Walled Header	8-poles: 76384-308		
Counter plug: Dubox Housing ROTATED NOT INSERTABLE	8-poles: 65240-008		
Electrical characteristics			
Operating voltage	5 V DC		
Sensor	Hall principle		
Push-button switch	MORS-APEM 13435AD2K		
Pin			
11	Supply voltage		
12	Ground		
13	y (-y=0.5V, middle=2.5V, +y=4.5V)		
Handle with push-button switch			
Switch contact	1	black	
	open	2	white
	closed		

		Oberfläche	Maßstab 1:1	Position	Menge
		Datum	Name	Joystick	
		Bearb. 02.05.11	Kiener M.		
		Gepr.			
		Norm			
		GENGE & THOMA AG <small>CH-2543 Lengnau/Biel</small>		60-0780	
Zust.	Änderungen	Datum	Name	Dateiname: E:\DWG\LSK_60\LSK60-0780.dwg	Blatt
					Bl